

HOME DECOR

WHOLESALE FABRICATORS

Made in America

ROLLER SHADES



- **NEW Zero Gravity Cordless**
- **Clutch**
- **Motorization -
120v Hard Wired & Battery Powered**

2612 West Townley Ave, Suite 5, Phoenix, AZ 85021
Phone: 602-995-9659 Fax: 602-995-7157



HOME DECOR

WHOLESALE FABRICATORS

Made in America

ROLLER SHADE FEATURES

- **NEW** Zero Gravity Cordless Lift System
- **NEW** Child Safety Tension Devices on all Continuous Cord/Chain Loops
- Our Standard Features are Upgrades Compared to Other Manufacturers
- Vast Selection of Designer Fabrics & Screen material
- Many Top Treatment Options
- **Somfy**® Motorization 12v, 24v, 120v
- Clutch and Crank Operations
- Exterior Shades with Many Options
- Experience You Can Count On!
- Limited Lifetime Warranty



HOME DECOR

WHOLESALE FABRICATORS

Made in America

ROLLER SHADES SPECIFICATIONS

Standard Features

- Metal Chain with Child Safety Tension Device
- Fabric Wrapped Hem Bar
- Clutch Control
- Open Roll (No Top Treatment)
- Regular Roll
- Quality Manufacturing

Size Considerations

Clutch Control Lift System

Interior Minimum Width: 8"

Interior Maximum Width: 156" (192" Motorized)

Maximum Length: 156"

NOTE: Continuous Cord Loop Chain Will be Approximately 2/3 Length of the Shade. Comes with Child Safety Tension Device

NOTE: Spring Assist Needed for Oversize Shades Already Included in Pricing.

Zero Gravity Cordless Lift System

Minimum Width: 11"

Maximum Width: 96"

Maximum Length: 96"

NOTE: Please Refer to If Shade Length is 3X More than Width

Exterior Roller System

Exterior Minimum Width: 60"

Exterior Maximum Width: 288"

Railroad & Seaming Considerations

- Some Fabrics Cannot Be Railroaded or Seamed
- Edge Curl is Possible on fabrics when railroaded-this is **NOT** considered a factory defect.
- Seams May be Visible

Top Treatment Upgrade Options

- **Clear Edge or Decor Trim Valances:** See Roller Shade Price Grid
- **Cassette:** See Roller Shade Price Grid
- **Fascia:** See Roller Shade Price Grid

Notice: If Shade Length is 3X More Than Width - Possible Tracking Problem

Roller shades that exceed a 3-to-1 length to width ratio, where the shade is more than 3 times longer than it is wide, may have problems tracking or rolling up straight. This tracking problem, commonly referred to as telescoping, is an inherent characteristic of roller shade fabrics and should be explained to your customer. We make every effort to 'fine tune' each shade, but shades with these dimensions are prone to this problem.

3X LENGTH TELESCOPING SHADES ARE NOT COVERED UNDER WARRANTY.

Factory Deductions

- **ISM Shades:** 1/4" deduction off the width & no deductions off the height.
- **OSM Shades:** No Deductions
- **Cloth Measure Shades:** Actual fabric width, Brackets/Top Treatment will be wider.

Control Options

- **Zero Gravity Cordless Lift System:** See Price Grid
- **Motorization:** See Motorization Pricing
 - If the antenna is removed from the motor, the motor warranty is void.
- **Exterior Shades:** See Exterior Shade Pricing
- **Clutch Lift System Standard. Comes with Child Safety Tension Device**

More Options – All Prices NET

- **Reverse Roll:** No Charge
- **Seamed Hem Bar Pocket:** No Charge
- **Chain Loop Upgrades:**
 - Stainless, White, Black, or Gun Metal: \$6.00 /shade
 - Extra Stainless, White, Black or Gun Metal Chain: \$ 1.80 /ft
 - Extra Chrome Metal Chain: \$.90/ft
- **Link System Brackets for Multiple Shades:** \$90
- **Aluminum Side & Sill Channels**
 - **Sill Ch.:** \$4.50/ft ○ **Center Ch.:** \$28.50/ft
 - **Side Ch. (Lt/Rt):** \$22.50/ft
 - **Colors:** White, Black, Anodized Aluminum
- **SoLar-bar (Vinyl "L" Light Stop)**
 - Minimum Cut Length 60"
 - \$10.50 per 6' Piece or \$21.00 per 12' Piece
 - **Colors:** White, Ivory, Gray, Brown, or Black

Chain Safety Device

Multi Directional Lock: White and Clear
Fixed Lock: White and Clear (Standard)

New Child Safety Tension Device Required by ANSI/WCMA A100.1-2022



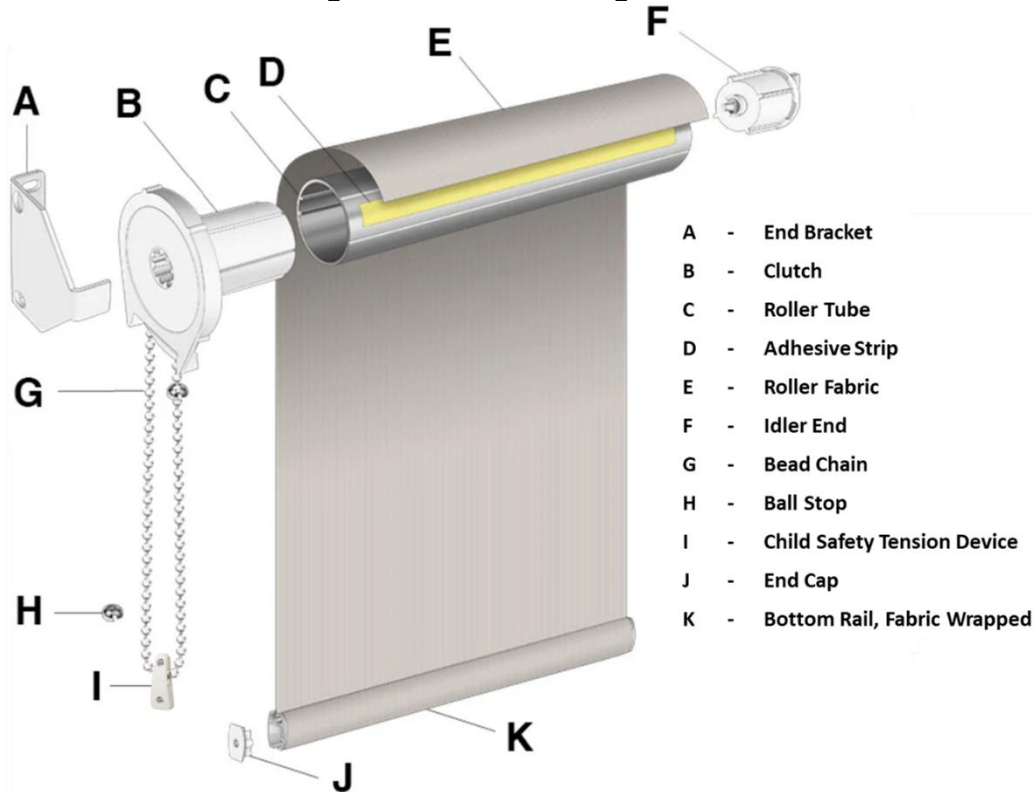
HOME DECOR

WHOLESALE FABRICATORS

Made in America

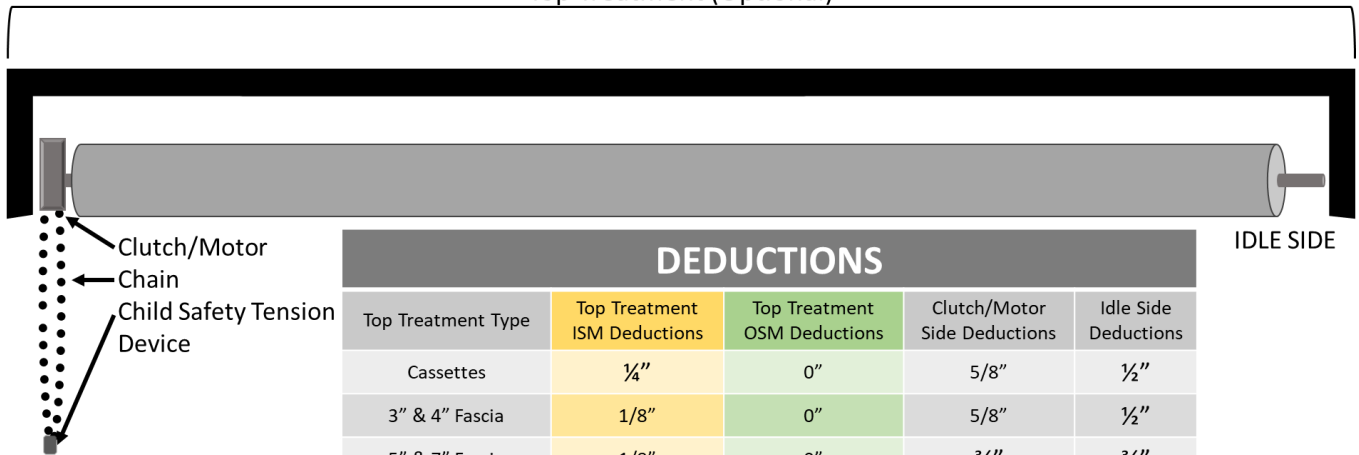
Roller Shade Diagram for Open Roll

*Top Treatments Optional



Deductions

Top Treatment (Optional)



| DEDUCTIONS | | | | |
|--------------------|------------------------------|------------------------------|------------------------------|----------------------|
| Top Treatment Type | Top Treatment ISM Deductions | Top Treatment OSM Deductions | Clutch/Motor Side Deductions | Idle Side Deductions |
| Cassettes | 1/4" | 0" | 5/8" | 1/2" |
| 3" & 4" Fascia | 1/8" | 0" | 5/8" | 1/2" |
| 5" & 7" Fascia | 1/8" | 0" | 3/4" | 3/4" |
| Open Roll | NA | NA | 5/8" | 1/2" |

*Please Note: for Cloth Measure (CM) Shades these are ADDITIONS to the overall width

* Deductions are approximate, based off of the Tube/Clutch/Motor Size

2612 West Townley Ave, Suite 5, Phoenix, AZ 85021
Phone: 602-995-9659 Fax: 602-995-7157



HOME DECOR

WHOLESALE FABRICATORS

Made in America

ROLLER SHADE TOP TREATMENT OPTIONS



3" & 4" Round Cassette System

For use with clutch operated or motorized roller shades only. This aluminum system with a round face, dust cover, and back panel fully encloses the shade. The Cassette System is available in **White, Black, Bronze** or **Anodized Aluminum** and comes standard with a matching fabric insert. Cassette can be ordered without insert. Available for inside or outside mount.



3" Square Cassette System

For use with clutch operated or motorized roller shades only. This is a square, flat front aluminum cassette, with an option for fabric insert. Inside and outside mount. Available in **White, Anodized Aluminum, Bronze,** and **Black.** 4" coming soon.



| WIDTH | 28" | 36" | 42" | 48" | 54" | 60" | 72" | 84" | 96" | 108" | 120" | 132" | 144" | 168" | 192" |
|---------------------------|-----|-----|-----|-----|-----|-----|-----|-----|-----|------|------|------|------|------|------|
| 3" Round/ Square Cassette | 113 | 129 | 142 | 154 | 167 | 175 | 208 | 234 | 258 | 279 | | | | | |
| 4" Round Cassette | 138 | 159 | 175 | 192 | 204 | 220 | 262 | 292 | 325 | 354 | 387 | | | | |

Deco Brackets

For use with open roll 1 1/2" tube: clutch, Zero Gravity Cordless, or motorized roller shades only. Inside and outside mount. Available in **White, Anodized Aluminum,** and **Black.**



| Color | Clutch Color | Price |
|-------------------|----------------|-------|
| White | White | \$99 |
| Black | Black | \$99 |
| Anodized Aluminum | White or Black | \$149 |

2612 West Townley Ave, Suite 5, Phoenix, AZ 85021
Phone: 602-995-9659 Fax: 602-995-7157



HOME DECOR

WHOLESALE FABRICATORS

Made in America

ROLLER SHADE TOP TREATMENT OPTIONS

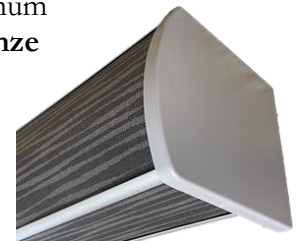
3" 4", & 5 1/2" Fascia System

For use with clutch operated or motorized roller shades only. This is an L-shaped, flat front, aluminum fascia with a face and bottom only, available in **White, Black, Bronze** or **Anodized Aluminum** for inside or outside mount. There are some size restrictions due to the rollup diameter of certain shade materials.



4" Curved Fascia

For best use with motorized roller shades. This is a C-shaped, curved front, aluminum fascia with fabric insert (on face and bottom only), available in **White, Black, Bronze** or **Anodized Aluminum** for inside or outside mount. There are some size restrictions due to the rollup diameter of certain shade materials. **It is best used as an outside mount (OSM) top treatment. If installed inside mount (ISM), the end caps may need on-site modifications.**



4", 5 1/2", & 7" Dual Shade Fascia System

For use with clutch operated or motorized roller Dual Shades only, this is an L-shaped, flat front aluminum fascia with face and bottom, available in **White, Black, Bronze** or **Anodized Aluminum** for inside and outside mount. There are some size restrictions due to the rollup diameter of certain shade materials.



| WIDTH | 28" | 36" | 42" | 48" | 54" | 60" | 72" | 84" | 96" | 108" | 120" | 132" | 144" | 168" | 192" |
|--------------------------|-----|-----|-----|-----|-----|-----|-----|-----|-----|------|------|------|------|------|------|
| 3" Fascia | 92 | 101 | 109 | 113 | 121 | 129 | 147 | 167 | 184 | 204 | 250 | | | | |
| 4" Fascia | 121 | 129 | 138 | 147 | 150 | 159 | 180 | 192 | 217 | 234 | 275 | 316 | 362 | | |
| 4" Dual Shade Fascia | 220 | 229 | 238 | 246 | 250 | 258 | 275 | 288 | 300 | 325 | | | | | |
| 4" Curved Fascia | 138 | 159 | 175 | 192 | 204 | 220 | 262 | 292 | 325 | 354 | 387 | 437 | 494 | | |
| 5 1/2" Fascia | 396 | 396 | 396 | 396 | 396 | 396 | 420 | 448 | 472 | 500 | 520 | 560 | 600 | 660 | 760 |
| 5 1/2" Dual Shade Fascia | 440 | 440 | 440 | 440 | 440 | 440 | 460 | 496 | 520 | 552 | 572 | 616 | 660 | | |
| 7" Dual Shade Fascia | 623 | 660 | 686 | 714 | 744 | 769 | 827 | 889 | 976 | 1060 | 1163 | 1242 | 1325 | | |



HOME DECOR

WHOLESALE FABRICATORS

Made in America

ROLLER SHADE TOP TREATMENT OPTIONS

Clear Edge Valance with Insert

Using a 3 1/2" Clear Edge valance, a 3 1/2" strip of matching Roller Shade fabric is inserted into the valance channel. This is for use with inside or outside mount roller shades and panel track systems. We can also fabricate the inserts only.



Single & Double Decor Trim

For use with Roller Shades, Roman Shades, or Panel Tracks, these beautiful valances can be made into a single valance or two stacked valances with the choice of any fabric inserts to match any custom shade. Along with fabric insert, the decorative trim is customizable with our selection of ten different colors and patterns.

| WIDTH | 28" | 36" | 42" | 48" | 54" | 60" | 72" | 84" | 96" | 108" | 120" | 132" | 144" | 168" | 192" |
|---------------------|-----|-----|-----|-----|-----|-----|-----|-----|-----|------|------|------|------|------|------|
| Clear Edge Valance | 61 | 68 | 76 | 84 | 91 | 99 | 106 | 114 | 121 | 136 | 151 | 174 | 197 | 247 | 307 |
| Single Trim Valance | 72 | 80 | 87 | 95 | 102 | 117 | 125 | 133 | 151 | 170 | 182 | 208 | 246 | 326 | 376 |

- To Price Double Trim Valance, 2 x Single Trim Valance Price.



| Available Colors |
|------------------|
| 301 Gold |
| 303 Chrome |
| 304 Light Oak |
| 305 Dark Walnut |
| 307 White |
| 630 Silk |
| 688 Lilac |
| 672 Blush |
| 655 Sage |
| 641 Denim |
| 684 Black Satin |



HOME DECOR

WHOLESALE FABRICATORS

Made in America

NEW ZERO GRAVITY CORDLESS LIFT SYSTEM SPECIFICATIONS

- Child Safe Roller System
- One Touch Easy to use system
- Works with all top treatments
- Fabric Wrapped or Sealed Hem Bar



Cordless Shades Maximum Sizes

Size Limitations: Min Width: 11", Max Width: 96", Max Length: 96"

| WINDOW HEIGHT | WINDOW WIDTH | | | | | WINDOW HEIGHT |
|---------------|--------------|-----------|-----------|-----------|-----------|---------------|
| | 11" - 24" | 24" - 36" | 36" - 72" | 72" - 84" | 84" - 96" | |
| 24" | ↓ | ↓ | ↓ | ↓ | ↓ | 24" |
| 30" | ↓ | ↓ | ↓ | ↓ | ↓ | 30" |
| 36" | ↓ | ↓ | ↓ | ↓ | ↓ | 36" |
| 48" | ↓ | ↓ | ↓ | ↓ | ↓ | 48" |
| 60" | ↓ | ↓ | ↓ | ↓ | ↓ | 60" |
| 72" | ↓ | ↓ | ↓ | ↓ | ↓ | 72" |
| 84" | ↓ | ↓ | ↓ | ↓ | ↓ | 84" |
| 96" | ↓ | ↓ | ↓ | ↓ | ↓ | 96" |

How to Price

Price shade as normal and add the cordless cost from the associated price grid. If applicable, add Valance or Cassette cost for final amount. **All Restrictions on Shades with Length 3X More Than Width Apply.** Please see pg R-3 for more details.

| WIDTH | 28" | 36" | 42" | 48" | 54" | 60" | 72" | 84" | 96" |
|------------------------|-----|-----|-----|-----|-----|-----|-----|-----|-----|
| Cordless System | 197 | 219 | 227 | 234 | 246 | 253 | 287 | 306 | 321 |



HOME DECOR

WHOLESALE FABRICATORS

Made in America

ROLLER SHADE AVAILABLE FABRICS

| FABRIC/ PATTERN | PROVIDER | COLLECTION | PRICE GROUP | ROLL WIDTH | RR/ SEAM | TRANSLUCENCY | FR |
|--------------------|-----------|---|----------------|---------------|-------------|-----------------|-----|
| 310 Calico | Vertilux | Gleamorous | 5 | 98 | Yes | Light Filtering | Yes |
| 310 Silken | Vertilux | Gleamorous | 5 | 98 | Yes | Light Filtering | Yes |
| 365 Colorama | Vertilux | Vertilux Roller Shade Book 1 | 4 | 98 | Yes | Light Filtering | Yes |
| 550 Calico | Vertilux | Vertilux Roller Shade Book 1 | 5 | 98 | Yes | Light Filtering | Yes |
| 550 Crystal | Vertilux | Vertilux Roller Shade Book 1 | 5 | 98 | Yes | Light Filtering | Yes |
| Acacia BO | Louvolite | Cool Greys & Urban Hues, Inky Ochres & Charcoal Greys, Warm Whites & Pure Tones | 7 | 82 | No | Room Darkening | No |
| Amalfi | Vertilux | Vertilux Roller Shade Book 2 | 1 | 108 | Yes | Light Filtering | No |
| Anno | Tumils | Sheer/Semi-Sheer | 9 | 102 | No | Light Filtering | No |
| Argent BO | Louvolite | Warm Neutrals & Dusty Greige, Muted Minks & Lush Lattes, Blissful Blush & Muted Mauves | 10 | 80 | No | Room Darkening | No |
| Aspen FR | Vertilux | Vertilux Roller Shade Book 2 | 2 | 110 | No | Light Filtering | Yes |
| Aurora | Louvolite | Soft Greys & Urban Hues, Bright Whites & Pure Tones, Cool Creams & Dusky Greige | 5 | 82 | No | Light Filtering | No |
| Ava | Tumils | Light Filtering/Blackout | 4 | 110 | Yes | Light Filtering | No |
| Ava BO | Tumils | Light Filtering/Blackout | 5 | 110 | Yes | Room Darkening | No |
| Banbury | Louvolite | Soft Greys & Urban Hues, Warm Whites & Soft Shades, Warming Neutrals & Hints of Nude | 7 | 86 | No | Light Filtering | No |
| Barrier Reef BO | Wilson | Barrier Reef | 7 | 114 | No | Room Darkening | No |
| Barrier Reef TRANS | Wilson | Barrier Reef | 4 | 114 | No | Light Filtering | No |
| Basic 3% | Phifer | Basic | 7 | 98 | Yes | Light Filtering | Yes |
| Basic 5% | Phifer | Basic | 6 | 98 | Yes | Light Filtering | Yes |
| Bergen BO | Louvolite | Textures | 9 | 118 | No | Room Darkening | Yes |
| Bergen Screen | Louvolite | Textures | 9 | 118 | No | Light Filtering | Yes |
| Bergen Trans | Louvolite | Textures | 6 | 118 | No | Light Filtering | Yes |
| Bimini | Vertilux | Vertilux Roller Shade Book 2 | 1 | 98 | Yes | Light Filtering | No |
| Bimini BO | Vertilux | Vertilux Roller Shade Book 2 | 2 | 98 | Yes | Room Darkening | No |
| Boleyn BO | Louvolite | Cool Greys & Urban Hues, Warm Greys & Smokey Tones, Blissful Blush & Muted Mauves, Cool Shades & Inky Blues | 7 | 82 | No | Room Darkening | No |
| Boston BO | Wilson | Boston | 7 | 114 | No | Room Darkening | No |
| Boston TRANS | Wilson | Boston | 4 | 114 | No | Light Filtering | No |
| Broome BO | Wilson | Broome | 7 | 114 | No | Room Darkening | No |
| Broome TRANS | Wilson | Broome | 4 | 114 | No | Light Filtering | No |
| Bryson 11% | Vertilux | Vertilux Roller Shade Book 1 | 4 | 98 | No | Light Filtering | No |
| Buxton BO | Wilson | Buxton | 7 | 114 | No | Room Darkening | Yes |
| Captiva BO | Vertilux | Intimate Blackout | 4 | 118 | No | Room Darkening | No |

2612 West Townley Ave, Suite 5, Phoenix, AZ 85021
Phone: 602-995-9659 Fax: 602-995-7157



HOME DECOR

WHOLESALE FABRICATORS

Made in America

Roller Shade Available Fabrics

| FABRIC/ PATTERN | PROVIDER | COLLECTION | PRICE GROUP | ROLL WIDTH | RR/ SEAM | TRANSLUCENCY | FR |
|----------------------|-----------|--|----------------|---------------|-------------|-----------------|-----|
| Carnival | Louvolite | Soft Greys & Urban Hues, Cool Greys & Charcoals, Warm Greys & Smokey Tones, Bright Whites & Pure Tones, Soft Creams & Golden Hues, Muted Minks & Lush Lattes | 7 | 80 | Yes | Light Filtering | Yes |
| Carnival BO | Louvolite | Cool Greys & Urban Hues, Warm Greys & Smokey Tones, Inky Ochres & Charcoal Greys, Warm Whites & Pure Tones, Soft Creams & Golden Hues | 7 | 80 | Yes | Room Darkening | Yes |
| Carolina | Vertilux | Vertilux Roller Shade Book 2 | 4 | 98 | Yes | Light Filtering | No |
| Cascade | Louvolite | Cool Greys & Charcoals, Warm Whites and Soft Shades, Cool Creams & Dusky Greige, Mellow Minerals & Inky Blues | 6 | 82 | No | Light Filtering | No |
| Chatsworth | Louvolite | Soft Greys & Urban Hues, Warm Whites & Soft Shades, Mellow Minerals & Inky Blues | 6 | 84 | No | Light Filtering | No |
| Collina BO | Louvolite | Warm Greys & Smokey Tones, Soft Creams & Golden Hues, Soft Creams & Golden Hues, Muted Minks & Lush Lattes, Mellow Minerals & Sage Greens | 10 | 80 | No | Room Darkening | No |
| Concord BO | Wilson | Concord | 7 | 114 | No | Room Darkening | No |
| Concord TRANS | Wilson | Concord | 4 | 114 | No | Light Filtering | No |
| Constellation | Vertilux | Gleamorous | 6 | 98 | No | Light Filtering | Yes |
| Cosmic Dream BO | Louvolite | Blissful Blush & Muted Mauves | 9 | 80 | Yes | Room Darkening | No |
| Crush | Louvolite | Warm Greys & Smokey Tones, Warm Whites & Pure Tones, Warm Neutrals & Dusty Greige, Cool Shades & Inky Blues | 10 | 80 | No | Room Darkening | No |
| Daintree BO | Wilson | Daintree | 7 | 114 | No | Room Darkening | No |
| Daintree Trans | Wilson | Daintree | 4 | 114 | No | Room Darkening | No |
| Dakar | Vertilux | Deco Styles | 2 | 110 | No | Light Filtering | No |
| Dakar BO | Vertilux | Intimate Blackout | 5 | 110 | Yes | Room Darkening | No |
| Daku BO | Vertilux | Intimate Blackout | 5 | 104 | Yes | Room Darkening | No |
| Dawn | Louvolite | Cool Greys & Charcoals, Warm Greys & Smokey Tones, Warm Whites & Soft Shades, Cool Creams & Dusky Greige, Warming Neutrals & Hints of Nude | 3 | 82 | Yes | Light Filtering | No |
| Denim BO (Louvolite) | Louvolite | Cool Greys & Urban Hues, Cool Shades & Inky Blues | 7 | 82 | Yes | Room Darkening | No |
| Denim BO (Vertilux) | Vertilux | Denim | 2 | 72 | No | Room Darkening | Yes |
| Designer Collection | Vertilux | Gleamorous | 5 | 98 | Yes | Light Filtering | Yes |
| Devon | Turnils | Light Filtering/Blackout | 3 | 118 | Yes | Light Filtering | No |
| Devon BO | Turnils | Light Filtering/Blackout | 4 | 118 | No | Room Darkening | No |
| Dunes BO | Louvolite | Textures | 9 | 118 | No | Room Darkening | Yes |
| Dunes Screen | Louvolite | Textures | 9 | 118 | No | Light Filtering | Yes |
| Dunes Trans | Louvolite | Textures | 6 | 118 | No | Light Filtering | Yes |
| Eco Planet FR | Vertilux | Eco Planet | 6 | 106 | Yes | Light Filtering | Yes |
| Elba Twilight | Mermet | Elba | 5 | 118 | No | Room Darkening | No |
| Ensenada | Vertilux | Gleamorous | 5 | 98 | Yes | Light Filtering | Yes |

2612 West Townley Ave, Suite 5, Phoenix, AZ 85021
Phone: 602-995-9659 Fax: 602-995-7157



HOME DECOR

WHOLESALE FABRICATORS

Made in America

Roller Shade Available Fabrics

| FABRIC/ PATTERN | PROVIDER | COLLECTION | PRICE GROUP | ROLL WIDTH | RR/ SEAM | TRANSLUCENCY | FR |
|-----------------------|------------|---|----------------|---------------|-------------|-----------------|-----|
| E-Screen 1% | Mermet | E-Screen | 6 | 122 | Yes | Light Filtering | Yes |
| E-Screen 10% | Mermet | E-Screen | 5 | 122 | Yes | Light Filtering | Yes |
| E-Screen 3% | Mermet | E-Screen | 6 | 122 | Yes | Light Filtering | Yes |
| E-Screen 5% | Mermet | E-Screen | 5 | 122 | Yes | Light Filtering | Yes |
| E-Screen Deco 1% | Mermet | E-Screen | 6 | 122 | No | Light Filtering | Yes |
| E-Screen Deco 3% | Mermet | E-Screen | 6 | 122 | No | Light Filtering | Yes |
| Fineline FR | Tumils | Sheer/Semi-Sheer | 4 | 94 | No | Light Filtering | Yes |
| Flocke' | Mermet | Flocke | 10 | 94 | Yes | Room Darkening | Yes |
| Florence | Louvolite | Cool Greys & Urban Hues, Muted Minks & Luch Lattes, Cool Shades & Inky Blues, Mellow Minerals & Sage Greens | 7 | 82 | No | Room Darkening | No |
| Fury FR | Tumils | Sheer/Semi-Sheer | 7 | 118 | No | Light Filtering | Yes |
| Gleamorous 314 | Vertilux | Vertilux Roller Shade Book 1 | 5 | 98 | No | Light Filtering | Yes |
| Grass Weave | Home Decor | Grass Weave | 3 | 72 | No | Light Filtering | No |
| GreenScreen Evolve 3% | Mermet | Greenscreen | 5 | 118 | No | Light Filtering | Yes |
| GreenScreen Nature 5% | Mermet | Greenscreen | 8 | 94 | Yes | Light Filtering | Yes |
| GreenScreen Revive 1% | Mermet | Greenscreen | 6 | 118 | No | Light Filtering | Yes |
| GreenScreen Revive 5% | Mermet | Greenscreen | 6 | 118 | No | Light Filtering | Yes |
| Hampton | Louvolite | Soft Greys & Urban Hues, Cool Creams & Dusky Greige, Warming Neutrals & Hints of Nude, Mellow Minerals & Inky Blues | 6 | 110 | No | Light Filtering | No |
| Harper | Tumils | Sheer/Semi-Sheer | 7 | 110 | Yes | Light Filtering | No |
| Haven | Tumils | Light Filtering/Blackout | 6 | 82 | No | Light Filtering | No |
| Husk II Sheer Blind | Wilson | Husk II | 4 | 114 | No | Light Filtering | No |
| Ibiza | Vertilux | Vertilux Roller Shade Book 2 | 3 | 98 | No | Light Filtering | No |
| Infinity 2 1% | Phifer | Sheerweave Interior | 9 | 98 | No | Light Filtering | Yes |
| Infinity 2 3% | Phifer | Sheerweave Interior | 9 | 98 | No | Light Filtering | Yes |
| Infinity 2 5% | Phifer | Sheerweave Interior | 9 | 98 | No | Light Filtering | Yes |
| Kenzo | Louvolite | Warm Greys & Smokey Tones, Soft Creams & Golden Hues, Mellow Minerals & Inky Blues | 5 | 82 | No | Light Filtering | No |
| Kiana | Tumils | Light Filtering/Blackout | 5 | 94 | No | Light Filtering | No |
| Kirtana | Tumils | Sheer/Semi-Sheer | 5 | 94 | Yes | Light Filtering | No |
| Lanair BO | Vertilux | Nightfall Blackout | 3 | 118 | Yes | Room Darkening | No |
| Linen | Vertilux | Deco Styles | 2 | 106 | Yes | Light Filtering | No |
| Linen Light | Tumils | Light Filtering/Blackout | 5 | 94 | Yes | Light Filtering | No |
| Linen Light BO | Tumils | Light Filtering/Blackout | 8 | 94 | Yes | Room Darkening | No |

2612 West Townley Ave, Suite 5, Phoenix, AZ 85021
Phone: 602-995-9659 Fax: 602-995-7157



HOME DECOR

WHOLESALE FABRICATORS

Made in America

Roller Shade Available Fabrics

| FABRIC/ PATTERN | PROVIDER | COLLECTION | PRICE GROUP | ROLL WIDTH | RR/ SEAM | TRANSLUCENCY | FR |
|--------------------|-----------|--|----------------|---------------|-------------|-----------------|-----|
| Linenweave XL | Tumils | Light Filtering/Blackout | 5 | 94 | No | Light Filtering | No |
| Lomond BO | Louvolite | Inky Ochres & Charcoal Greys, Warm Neutrals & Dusty Greige, Blissful Blush & Muted Mauves, Cool Shades & Inky Blues | 6 | 82 | Yes | Room Darkening | No |
| Longreach BO | Wilson | Longreach | 7 | 114 | No | Room Darkening | No |
| Longreach Trans | Wilson | Longreach | 4 | 114 | No | Light Filtering | No |
| Lucca BO | Tumils | Blackout | 4 | 118 | No | Room Darkening | No |
| Lumen FR | Tumils | Sheer/Semi-Sheer | 4 | 94 | No | Light Filtering | Yes |
| Lumiere BO | Tumils | Blackout | 6 | 118 | No | Room Darkening | No |
| Lyon | Tumils | Light Filtering/Blackout | 7 | 118 | No | Light Filtering | No |
| Lyon BO | Tumils | Light Filtering/Blackout | 7 | 118 | No | Room Darkening | No |
| Magnolia BO | Louvolite | Blackout Designs And Plains, Inky Ochres & Charcoal Greys, Warm Neutrals & Dusty Greige, Blissful Blush & Muted Mauves | 10 | 80 | No | Room Darkening | No |
| Malacca | Tumils | Light Filtering/Blackout | 5 | 94 | No | Light Filtering | No |
| Malacca BO | Tumils | Light Filtering/Blackout | 5 | 94 | No | Room Darkening | No |
| Marble BO | Louvolite | Inky Ochres & Charcoal Greys | 7 | 68 | No | Room Darkening | No |
| Marino BO | Louvolite | Textures | 9 | 118 | No | Room Darkening | Yes |
| Marino Screen | Louvolite | Textures | 9 | 118 | No | Light Filtering | Yes |
| Marino Trans | Louvolite | Textures | 6 | 118 | No | Light Filtering | Yes |
| Matrix BO | Louvolite | Cool Greys & Urban Hues, Soft Creams & Golden Hues, Warm Neutrals & Dusty Greige, Muted Minks & Lush Lattes | 9 | 82 | Yes | Room Darkening | Yes |
| Maui | Tumils | Light Filtering/Blackout | 5 | 110 | Yes | Light Filtering | No |
| Maui BO | Tumils | Light Filtering/Blackout | 6 | 110 | Yes | Room Darkening | No |
| Mercury II BO | Wilson | Mercury II | 7 | 114 | No | Room Darkening | No |
| Mercury II TRANS | Wilson | Mercury II | 4 | 114 | No | Light Filtering | No |
| Mia | Tumils | Light Filtering/Blackout | 7 | 94 | Yes | Light Filtering | No |
| Mia BO | Tumils | Light Filtering/Blackout | 8 | 94 | Yes | Room Darkening | No |
| Monroe | Louvolite | Soft Greys & Urban Hues, Bright Whites & Pure Tones, Soft Creams & Golden Hues, Mellow Minerals & Inky Blues | 9 | 80 | No | Light Filtering | No |
| Monterey | Louvolite | Soft Greys & Urban Hues, Cool Creams & Dusky Greige, Muted Minks & Lush Lattes | 7 | 110 | No | Light Filtering | No |
| Morgan | Tumils | Sheer/Semi-Sheer | 6 | 110 | Yes | Light Filtering | No |
| M-Screen 1% | Mermet | M Screen | 6 | 122 | Yes | Light Filtering | No |
| M-Screen 3% | Mermet | M Screen | 6 | 122 | Yes | Light Filtering | No |
| M-Screen 5% | Mermet | M Screen | 5 | 122 | Yes | Light Filtering | No |
| M-Screen Deco 3% | Mermet | M Screen | 6 | 98 | No | Light Filtering | Yes |
| M-Screen Deco 5% | Mermet | M Screen | 6 | 98 | No | Light Filtering | Yes |

2612 West Townley Ave, Suite 5, Phoenix, AZ 85021
Phone: 602-995-9659 Fax: 602-995-7157



HOME DECOR

WHOLESALE FABRICATORS

Made in America

Roller Shade Available Fabrics

| FABRIC/ PATTERN | PROVIDER | COLLECTION | PRICE GROUP | ROLL WIDTH | RR/ SEAM | TRANSLUCENCY | FR |
|----------------------------------|-----------|--|----------------|---------------|-------------|-----------------|-----|
| Natte 10% | Mermet | Natte | 6 | 122 | Yes | Light Filtering | No |
| Natte 3% | Mermet | Natte | 7 | 118 | Yes | Light Filtering | No |
| Natte 5% | Mermet | Natte | 7 | 122 | Yes | Light Filtering | No |
| Nature 3% & 5% | Vertilux | Deco Styles | 3 | 106 | Yes | Light Filtering | No |
| Night Night BO | Louvolite | Inky Ochres & Charcoal Greys | 7 | 80 | No | Room Darkening | No |
| Night Safari BO | Louvolite | Soft Creams & Golden Hues | 9 | 80 | No | Room Darkening | No |
| Noche BO | Vertilux | Intimate Blackout | 2 | 72 | Yes | Room Darkening | Yes |
| Noosa BO | Wilson | Noosa | 7 | 114 | No | Room Darkening | No |
| Noosa Trans | Wilson | Noosa | 4 | 114 | No | Light Filtering | No |
| Nordic BO | Tumils | Screens/Blackout | 3 | 118 | Yes | Room Darkening | No |
| NordicScreen Plus BW 1% FR | Tumils | Screens/Blackout | 5 | 118 | Yes | Light Filtering | Yes |
| NordicScreen Plus BW 10% FR | Tumils | Screens/Blackout | 4 | 118 | Yes | Light Filtering | Yes |
| NordicScreen Plus BW 3% FR | Tumils | Screens/Blackout | 5 | 118 | Yes | Light Filtering | Yes |
| NordicScreen Plus BW 5% FR | Tumils | Screens/Blackout | 4 | 118 | Yes | Light Filtering | Yes |
| NordicScreen Plus Deco FR | Tumils | Screens/Blackout | 5 | 118 | Yes | Light Filtering | Yes |
| NordicScreen Plus Regal FR | Tumils | Screens/Blackout | 4 | 118 | No | Light Filtering | Yes |
| NordicScreen Plus Twill 1% FR | Tumils | Screens/Blackout | 5 | 118 | Yes | Light Filtering | Yes |
| NordicScreen Plus Twill 3% FR | Tumils | Screens/Blackout | 5 | 118 | Yes | Light Filtering | Yes |
| Oslo (Louvolite) | Louvolite | Cool Greys & Charcoals, Warming Neutrals & Hints of Nude, Muted Minks & Lush Lattes | 6 | 118 | No | Light Filtering | Yes |
| Oslo (Tumils) | Tumils | Light Filtering/Blackout | 4 | 110 | Yes | Light Filtering | No |
| Oslo BO (Tumils) | Tumils | Light Filtering/Blackout | 4 | 110 | Yes | Room Darkening | No |
| Oxley BO | Louvolite | Cool Greys & Urban Hues, Warm Greys & Smokey Tones, Warm Whites & Pure Tones | 7 | 110 | Yes | Room Darkening | Yes |
| Oxley TRANS | Louvolite | Soft Greys & Urban Hues, Cool Greys & Charcoals, Warm Greys & Smokey Tones, Warm Whites & Soft Shades, Soft Creams & Golden Hues | 6 | 110 | Yes | Light Filtering | Yes |
| Palette XL FR | Tumils | Light Filtering/Blackout | 5 | 98 | No | Light Filtering | Yes |
| Palister | Tumils | Light Filtering/Blackout | 8 | 96 | No | Light Filtering | No |
| Performance + 2390 | Phifer | Performance | 10 | 96 | Yes | Light Filtering | Yes |
| Performance +2410 | Phifer | Performance | 10 | 96 | Yes | Light Filtering | Yes |
| Performance +2500 | Phifer | Performance | 10 | 96 | Yes | Light Filtering | Yes |
| Pinpointe BO | Vertilux | Vertilux Roller Shade Book 2 | 1 | 72 | Yes | Room Darkening | Yes |

2612 West Townley Ave, Suite 5, Phoenix, AZ 85021
Phone: 602-995-9659 Fax: 602-995-7157



HOME DECOR

WHOLESALE FABRICATORS

Made in America

Roller Shade Available Fabrics

| FABRIC/ PATTERN | PROVIDER | COLLECTION | PRICE GROUP | ROLL WIDTH | RR/ SEAM | TRANSLUCENCY | FR |
|--|-----------|---|----------------|---------------|-------------|-----------------|-----|
| Planet FR | Vertilux | Planet | 4 | 106 | Yes | Light Filtering | Yes |
| Polyscreen Vision 350-10% | Vertilux | Polyscreen Vision | 4 | 118 | Yes | Light Filtering | Yes |
| Polyscreen Vision 365/ 365 Colorama | Vertilux | Gleamorous | 4 | 98 | Yes | Light Filtering | Yes |
| Polyscreen Vision 403-3% | Vertilux | Polyscreen Vision | 5 | 98 | Yes | Light Filtering | Yes |
| Polyscreen Vision 550-5% | Vertilux | Vertilux Roller Shade Book 1 | 4 | 118 | Yes | Light Filtering | Yes |
| Polyscreen Vision 597-8% | Vertilux | Polyscreen Vision | 5 | 98 | Yes | Light Filtering | Yes |
| Polyscreen Vision 650-3% | Vertilux | Polyscreen Vision | 5 | 98 | Yes | Light Filtering | Yes |
| Polyscreen Vision Comfort Plus 35 | Vertilux | Polyscreen Vision | 5 | 98 | Yes | Light Filtering | Yes |
| Prado | Tumils | Sheer/Semi-Sheer | 6 | 114 | Yes | Light Filtering | No |
| Quinton BO | Louvolite | Cool Greys & Urban Hues, Warm Whites & Pure Tones, Muted Minks & Lush Lattes, Cool Shades & Inky Blues | 7 | 82 | Yes | Room Darkening | No |
| Richmond BO | Tumils | Blackout | 9 | 94 | No | Room Darkening | No |
| Rimini | Vertilux | Vertilux Roller Shade Book 2 | 2 | 118 | Yes | Light Filtering | No |
| Ritz | Louvolite | Cool Greys & Charcoals, Bright Whites & Pure Tones, Cool Creams & Dusky Greige | 6 | 80 | No | Light Filtering | No |
| S Screen 1% | Mermet | S Screen | 6 | 122 | No | Light Filtering | Yes |
| S Screen 4% | Mermet | S Screen | 6 | 122 | No | Light Filtering | Yes |
| S Screen Naturals 5% | Mermet | S Screen | 5 | 98 | No | Light Filtering | Yes |
| Sakura | Louvolite | Warm Greys & Smokey Tones, Warming Neutrals & Hints of Nude | 5 | 82 | No | Light Filtering | No |
| Samoa BO | Vertilux | Vertilux Roller Shade Book 2 | 5 | 98 | No | Room Darkening | No |
| Satine 1% | Mermet | Satine | 7 | 122 | No | Light Filtering | No |
| Satine 5% | Mermet | Satine | 7 | 122 | No | Light Filtering | No |
| Savannah | Tumils | Light Filtering/Blackout | 6 | 110 | Yes | Light Filtering | No |
| Sense BO | Vertilux | Vertilux Roller Shade Book 2 | 5 | 98 | No | Room Darkening | No |
| Shantung | Vertilux | Vertilux Roller Shade Book 2 | 3 | 98 | Yes | Light Filtering | No |
| Sheerlux Adagio | Vertilux | Urban-Chic | 2 | 110 | No | Light Filtering | No |
| Sheerlux Rhapsody | Vertilux | Urban-Chic | 2 | 110 | No | Light Filtering | No |
| Shot Silk BO | Louvolite | Inky Ochres & Charcoal Greys, Warm Whites & Pure Tones, Soft Creams & Golden Hues, Muted Minks & Lush Lattes, Mellow Minerals & Sage Greens | 10 | 80 | No | Room Darkening | No |
| Sienna | Vertilux | Vertilux Roller Shade Book 1 | 5 | 98 | No | Light Filtering | Yes |
| Singular 3000 BO FR | Vertilux | Vertilux Roller Shade Book 2 | 5 | 110 | Yes | Room Darkening | Yes |
| Sofia Twilight | Mermet | Sofia | 5 | 118 | No | Room Darkening | No |

2612 West Townley Ave, Suite 5, Phoenix, AZ 85021
Phone: 602-995-9659 Fax: 602-995-7157



HOME DECOR

WHOLESALE FABRICATORS

Made in America

Roller Shade Available Fabrics

| FABRIC/ PATTERN | PROVIDER | COLLECTION | PRICE GROUP | ROLL WIDTH | RR/ SEAM | TRANSLUCENCY | FR |
|----------------------|-----------|---|----------------|---------------|-------------|-----------------|-----|
| Sonata | Vertilux | Deco Styles | 5 | 98 | No | Light Filtering | No |
| South Beach | Vertilux | Vertilux Roller Shade Book 2 | 1 | 98 | Yes | Light Filtering | No |
| South Beach BO | Vertilux | Nightfall Blackout | 3 | 98 | Yes | Room Darkening | No |
| Sparta (Twilight) FR | Mermet | Sparta | 4 | 126 | Yes | Room Darkening | Yes |
| Spice | Vertilux | Gleamorous | 5 | 98 | No | Light Filtering | Yes |
| Strand | Louvolite | Warm Neutrals & Dusty Greige, Muted Minks & Lush Lattes, Blissful Blush & Muted Mauves, Cool Shades & Inky Blues, Mellow Minerals & Sage Greens | 7 | 82 | No | Room Darkening | No |
| Stucco 8% | Vertilux | Vertilux Roller Shade Book 1 | 5 | 98 | Yes | Light Filtering | Yes |
| Stucco BO | Vertilux | Vertilux Roller Shade Book 2 | 4 | 110 | Yes | Room Darkening | No |
| Sunset BO | Vertilux | Vertilux Roller Shade Book 2 | 3 | 118 | Yes | Room Darkening | No |
| Suntex-I 80 | Phifer | Exterior Sun Control Fabrics | 5 | 96 | Yes | Light Filtering | No |
| Suntex-I 90 | Phifer | Exterior Sun Control Fabrics | 5 | 120 | Yes | Light Filtering | No |
| Suntex-I 95 | Phifer | Exterior Sun Control Fabrics | 6 | 126 | Yes | Light Filtering | No |
| Suntex-I 97 | Phifer | Exterior Sun Control Fabrics | 6 | 126 | Yes | Light Filtering | No |
| Suntex-I 99 | Phifer | Exterior Sun Control Fabrics | 6 | 126 | Yes | Light Filtering | No |
| Suntex-I Matte 95% | Phifer | Exterior Sun Control Fabrics | 6 | 126 | Yes | Light Filtering | No |
| Suntex-I Matte 97% | Phifer | Exterior Sun Control Fabrics | 6 | 126 | Yes | Light Filtering | No |
| SW 1000 | Phifer | Sheerweave Interior | 5 | 96 | No | Light Filtering | Yes |
| SW 2000 | Phifer | Sheerweave Interior | 7 | 126 | Yes | Light Filtering | Yes |
| SW 2100 | Phifer | Sheerweave Interior | 7 | 98 | Yes | Light Filtering | Yes |
| SW 2360 10% | Phifer | Sheerweave Interior | 7 | 126 | Yes | Light Filtering | Yes |
| SW 2390 5% | Phifer | Sheerweave Interior | 7 | 126 | Yes | Light Filtering | Yes |
| SW 2410 3% | Phifer | Sheerweave Interior | 7 | 126 | Yes | Light Filtering | Yes |
| SW 2500 1% | Phifer | Sheerweave Interior | 7 | 126 | Yes | Light Filtering | Yes |
| SW 2701 | Phifer | Sheerweave Interior | 7 | 126 | Yes | Light Filtering | Yes |
| SW 2703 | Phifer | Sheerweave Interior | 7 | 126 | Yes | Light Filtering | Yes |
| SW 2705 | Phifer | Sheerweave Interior | 7 | 126 | Yes | Light Filtering | Yes |
| SW 2710 | Phifer | Sheerweave Interior | 6 | 98 | Yes | Light Filtering | Yes |
| SW 3000 | Phifer | Sheerweave Interior | 6 | 96 | No | Light Filtering | Yes |
| SW 4000-3% | Phifer | Sheerweave Interior | 7 | 126 | Yes | Light Filtering | Yes |
| SW 4100-10% | Phifer | Sheerweave Interior | 7 | 98 | Yes | Light Filtering | Yes |
| SW 4400 | Phifer | Sheerweave Interior | 7 | 126 | Yes | Light Filtering | Yes |
| SW 4500 | Phifer | Sheerweave Interior | 7 | 126 | Yes | Light Filtering | Yes |

2612 West Townley Ave, Suite 5, Phoenix, AZ 85021
Phone: 602-995-9659 Fax: 602-995-7157



HOME DECOR

WHOLESALE FABRICATORS

Made in America

Roller Shade Available Fabrics

| FABRIC/ PATTERN | PROVIDER | COLLECTION | PRICE GROUP | ROLL WIDTH | RR/ SEAM | TRANSLUCENCY | FR |
|-----------------------------|-----------|---|----------------|---------------|-------------|-----------------|-----|
| SW 4550 | Phifer | Sheerweave Interior | 7 | 98 | Yes | Light Filtering | Yes |
| SW 4600 | Phifer | Sheerweave Interior | 7 | 126 | Yes | Light Filtering | Yes |
| SW 4650 | Phifer | Sheerweave Interior | 7 | 98 | Yes | Light Filtering | Yes |
| SW 4800 | Phifer | Sheerweave Interior | 7 | 126 | Yes | Light Filtering | Yes |
| SW 4901 | Phifer | Sheerweave Interior | 8 | 98 | Yes | Light Filtering | Yes |
| SW 5000 | Phifer | Sheerweave Interior | 7 | 98 | No | Light Filtering | Yes |
| SW 7000 | Phifer | Sheerweave Interior | 9 | 118 | Yes | Room Darkening | Yes |
| SW 7100 BO | Phifer | Sheerweave Interior | 8 | 96 | Yes | Room Darkening | Yes |
| SW 7200R | Phifer | Sheerweave Interior | 7 | 118 | Yes | Room Darkening | Yes |
| SW 7250R | Phifer | Sheerweave Interior | 5 | 118 | Yes | Light Filtering | Yes |
| SW 7400 | Phifer | Sheerweave Interior | 8 | 118 | No | Room Darkening | Yes |
| SW 7450 | Phifer | Sheerweave Interior | 6 | 118 | No | Light Filtering | Yes |
| SW 7500 BO | Phifer | Sheerweave Interior | 6 | 118 | Yes | Room Darkening | Yes |
| SW 7500R | Phifer | Sheerweave Interior | 5 | 118 | Yes | Light Filtering | Yes |
| SW 7700R BO | Phifer | Sheerweave Interior | 6 | 118 | Yes | Room Darkening | Yes |
| SW 7750R | Phifer | Sheerweave Interior | 5 | 118 | Yes | Light Filtering | Yes |
| SW 7800 BO | Phifer | Sheerweave Interior | 8 | 118 | Yes | Room Darkening | Yes |
| SW 7850 | Phifer | Sheerweave Interior | 7 | 118 | Yes | Light Filtering | Yes |
| SW 8000 | Phifer | Sheerweave Interior | 7 | 118 | Yes | Light Filtering | Yes |
| Swedish Birch | Louvolite | Cool Greys & Charcoals | 6 | 80 | No | Light Filtering | No |
| Sydney BO | Wilson | Sydney | 7 | 114 | No | Room Darkening | No |
| Sydney Trans | Wilson | Sydney | 4 | 114 | No | Light Filtering | No |
| T Screen 1% Conventional | Mermet | T Screen | 6 | 122 | No | Light Filtering | No |
| T Screen 3% Conventional | Mermet | T Screen | 6 | 122 | No | Light Filtering | No |
| T Screen Deco 1% | Mermet | T Screen | 6 | 122 | No | Light Filtering | No |
| T Screen Deco 3% | Mermet | T Screen | 6 | 122 | No | Light Filtering | No |
| T Screen Deco 5% | Mermet | T Screen | 5 | 122 | No | Light Filtering | No |
| Tenley | Tumils | Light Filtering/Blackout | 1 | 98 | No | Light Filtering | No |
| Tenley BO | Tumils | Light Filtering/Blackout | 3 | 98 | No | Room Darkening | No |
| Terrazzo | Louvolite | Warm Greys & Smokey Tones, Soft Creams & Golden Hues, Muted Minks & Lush Lattes, Mellow Minerals & Inky Blues | 6 | 82 | No | Light Filtering | No |
| Thredbo BO | Wilson | Thredbo | 7 | 114 | No | Room Darkening | No |
| Thredbo TRANS | Wilson | Thredbo | 4 | 114 | No | Light Filtering | No |

2612 West Townley Ave, Suite 5, Phoenix, AZ 85021
Phone: 602-995-9659 Fax: 602-995-7157



HOME DECOR

WHOLESALE FABRICATORS

Made in America

Roller Shade Available Fabrics

| FABRIC/ PATTERN | PROVIDER | COLLECTION | PRICE GROUP | ROLL WIDTH | RR/ SEAM | TRANSLUCENCY | FR |
|--------------------------|-----------|--|----------------|---------------|-------------|-----------------|-----|
| Toledo BO | Vertilux | Vertilux Roller Shade Book 2 | 5 | 98 | No | Room Darkening | No |
| Toureg | Vertilux | Vertilux Roller Shade Book 2 | 4 | 98 | Yes | Light Filtering | No |
| Trellis | Louvolite | Cool Greys & Charcoals, Bright Whites & Pure Tones, Cool Creams & Dusky Greige, Warming Neutrals & Hints of Nude | 5 | 82 | No | Light Filtering | No |
| Tulip | Louvolite | Soft Greys & Urban Hues, Warm Whites & Soft Shades, Cool Creams & Dusky Greige, Mellow Minerals & Inky Blues | 5 | 82 | No | Light Filtering | No |
| Tundra | Louvolite | Soft Greys & Urban Hues, Warm Whites & Soft Shades, Warming Neutrals & Hints of Nude, Muted Minks & Lush Lattes | 6 | 78 | No | Light Filtering | No |
| Tuscany BO | Wilson | Tuscany | 7 | 114 | No | Room Darkening | No |
| Tuscany TRANS | Wilson | Tuscany | 4 | 114 | No | Light Filtering | No |
| Uluru BO | Wilson | Uluru | 7 | 114 | No | Room Darkening | No |
| Uluru TRANS | Wilson | Uluru | 4 | 114 | No | Light Filtering | No |
| Valencia BO | Louvolite | Soft Creams & Golden Hues, Warm Neutrals & Dusty Greige, Blissful Blush & Muted Mauves, Mellow Minerals & Sage Greens | 10 | 80 | No | Room Darkening | No |
| Vermont | Louvolite | Warm Greys & Smokey Tones, Bright Whites & Pure Tones, Soft Creams & Golden Hues, Muted Minks & Lush Lattes | 5 | 80 | No | Light Filtering | Yes |
| Vienne 10% | Mermet | Vienne | 4 | 122 | No | Light Filtering | Yes |
| Vienne 5% | Mermet | Vienne | 4 | 122 | No | Light Filtering | Yes |
| Vizela 1% | Mermet | Vizela | 8 | 95 | Yes | Light Filtering | Yes |
| Voile | Louvolite | Warm Greys & Smokey Tones, Bright Whites & Pure Tones, Soft Creams & Golden Hues, Warming Neutrals & Hints of Nude, Mellow Minerals & Inky Blues | 4 | 78 | Yes | Light Filtering | Yes |
| VX Screen 3000 BO | Vertilux | Vertilux Roller Shade Book 1 & Book 2 | 6 | 118 | Yes | Room Darkening | Yes |
| VX/Solar Screen 3101 1% | Vertilux | Vertilux Roller Shade Book 1 | 3 | 118 | Yes | Light Filtering | Yes |
| VX/Solar Screen 3103 3% | Vertilux | Vertilux Roller Shade Book 1 | 3 | 118 | Yes | Light Filtering | Yes |
| VX/Solar Screen 3105 5% | Vertilux | Vertilux Roller Shade Book 1 | 2 | 118 | Yes | Light Filtering | Yes |
| VX/Solar Screen 3500 .5% | Vertilux | Vertilux Roller Shade Book 1 | 4 | 118 | Yes | Light Filtering | Yes |
| VX/Solar Screen 4000 10% | Vertilux | VX Screen | 3 | 118 | Yes | Light Filtering | Yes |
| VX/Solar Screen 4000 5% | Vertilux | VX Screen | 3 | 118 | Yes | Light Filtering | Yes |
| VX/Solar Screen 5000 1% | Vertilux | VX Screen | 5 | 98 | Yes | Light Filtering | Yes |
| VX/Solar Screen 8200 3% | Vertilux | Vertilux Roller Shade Book 1 | 4 | 118 | Yes | Light Filtering | Yes |
| Whitsundays Sheer Blind | Wilson | Whitsundays | 4 | 114 | No | Light Filtering | No |
| Windsor | Louvolite | Soft Creams & Golden Hues, Muted Minks & Lush Lattes, Mellow Minerals & Inky Blues | 9 | 80 | Yes | Light Filtering | No |
| Xander | Vertilux | Vertilux Roller Shade Book 2 | 2 | 110 | No | Light Filtering | No |
| Zora Twilight | Mermet | Zora | 5 | 126 | No | Room Darkening | No |

2612 West Townley Ave, Suite 5, Phoenix, AZ 85021
Phone: 602-995-9659 Fax: 602-995-7157



HOME DECOR

WHOLESALE FABRICATORS

Made in America

ROLLER SHADE RETAIL PRICE GUIDES

Fascias & Cassettes

| WIDTH | 28" | 36" | 42" | 48" | 54" | 60" | 72" | 84" | 96" | 108" | 120" | 132" | 144" | 168" | 192" |
|--------------------------|-----|-----|-----|-----|-----|-----|-----|-----|-----|------|------|------|------|------|------|
| 3" Fascia | 92 | 101 | 109 | 113 | 121 | 129 | 147 | 167 | 184 | 204 | 250 | | | | |
| 4" Fascia | 121 | 129 | 138 | 147 | 150 | 159 | 180 | 192 | 217 | 234 | 275 | 316 | 362 | | |
| 4" Dual Shade Fascia | 220 | 229 | 238 | 246 | 250 | 258 | 275 | 288 | 300 | 325 | | | | | |
| 4" Curved Fascia | 138 | 159 | 175 | 192 | 204 | 220 | 262 | 292 | 325 | 354 | 387 | 437 | 494 | | |
| 5 1/2" Fascia | 396 | 396 | 396 | 396 | 396 | 396 | 420 | 448 | 472 | 500 | 520 | 560 | 600 | 660 | 760 |
| 5 1/2" Dual Shade Fascia | 440 | 440 | 440 | 440 | 440 | 440 | 460 | 496 | 520 | 552 | 572 | 616 | 660 | | |
| 7" Dual Shade Fascia | 623 | 660 | 686 | 714 | 744 | 769 | 827 | 889 | 976 | 1060 | 1163 | 1242 | 1325 | | |
| 3" Cassette | 113 | 129 | 142 | 154 | 167 | 175 | 208 | 234 | 258 | 279 | | | | | |
| 4" Cassette | 138 | 159 | 175 | 192 | 204 | 220 | 262 | 292 | 325 | 354 | 387 | | | | |
| Clear Edge Valance | 61 | 68 | 76 | 84 | 91 | 99 | 106 | 114 | 121 | 136 | 151 | 174 | 197 | 247 | 307 |
| Single Trim Valance | 72 | 80 | 87 | 95 | 102 | 117 | 125 | 133 | 151 | 170 | 182 | 208 | 246 | 326 | 376 |
| Cordless System | 197 | 219 | 227 | 234 | 246 | 253 | 287 | 306 | 321 | | | | | | |

- To Price Double Trim Valance, 2 x Single Trim Valance Price.

Roller Shade Parts & Component Pricing

| (ALL PRICES RETAIL) Various Accessories | | 3" | 4" | 4" Dual | 5.5" & 5.5 Dual | 7" Dual | |
|---|--------------|--|-----------|---------------------|-----------------|------------|------------|
| Bead Chain: #10 Chrome Plated | \$ 3 /ft | Aluminum Fascia (16 ft) | \$ 28 /ft | \$36 /ft | \$ 36 /ft | \$ 55 /ft | \$ 120 /ft |
| Bead Chain: #10 Stainless/Gun Metal, White, Black | \$ 6 /ft | Fascia Brackets | \$ 60 /pr | \$80 /pr | \$ 120 /pr | \$ 105 /pr | \$ 480 /pr |
| Stop Balls: Metal Only | \$ 2.50 ea | Motor Fascia Brackets | N/A | \$100 /pr | \$ 140 /pr | \$ 145 /pr | \$ 500 /pr |
| P-Clips-Child Safe: Clear only | \$ 10 ea. | Cassette headrail (16 ft) | \$ 40 /ft | \$48 /ft | N/A | N/A | N/A |
| Hold Down Brackets: Metal Only | \$ 10 ea. | Mounting Brackets | \$ 12 ea. | \$ 12 ea. | N/A | N/A | N/A |
| Aluminum Bottom Bar | \$ 20 /ft | End Caps | \$ 12 /pr | \$ 12 /pr | N/A | \$ 22 /pr | N/A |
| Spring Assist Spring Only | \$ 350 | * Minimum Order is \$15 paid upon receipt of parts. * Parts that need to be ordered are CIA plus shipping * Parts cannot be Returned and are Non- Refundable. * Please call-in advance to request parts to ensure they are in stock and ready to pick up. | | | | | |
| 1/2" Double Sided Tape | \$ 350 /roll | | | | | | |
| Child Safety Tension Devices, Fixed & Multi Directional | \$ 13 ea. | | | | | | |
| Motor Brackets | | XR-16 XR-24, XL-20 | | Roller Tube (16 ft) | | | |
| Motor End Bracket | \$ 80 | Clutch (Black or White) | \$ 80 | \$ 100 | 1-1/2" | \$ 30 /ft | |
| Idle End Bracket | \$ 160 | Idler End (Black or White) | \$ 20 | \$ 20 | 2" Motor | \$ 53 /ft | |
| Intermediate Bracket (12mm) | \$ 200 | Brackets (Black or White) | \$ 20 | \$ 100 | 78 mm | \$ 77 /ft | |
| Retractable Idle End (12mm) | \$ 200 | | | | | | |
| Indexable Coupler (12mm) | \$ 360 | | | | | | |



HOME DECOR

WHOLESALE FABRICATORS

Made in America

ROLLER SHADE RETAIL PRICE GUIDES

FABRICS GROUP 1

| WIDTH | 28" | 36" | 42" | 48" | 54" | 60" | 72" | 84" | 96" | 108" | 120" | 132" | 144" |
|--------|-----|-----|-----|-----|-----|-----|-----|------|------|------|------|------|------|
| HEIGHT | | | | | | | | | | | | | |
| 36" | 293 | 314 | 334 | 350 | 373 | 393 | 444 | 506 | 547 | 745 | 982 | 1033 | 1205 |
| 48" | 306 | 334 | 356 | 373 | 398 | 418 | 473 | 538 | 583 | 790 | 1028 | 1088 | 1264 |
| 60" | 318 | 353 | 377 | 396 | 423 | 442 | 503 | 572 | 618 | 829 | 1073 | 1142 | 1321 |
| 72" | 335 | 370 | 399 | 420 | 448 | 469 | 534 | 606 | 684 | 1036 | 1121 | 1195 | 1379 |
| 84" | 350 | 390 | 421 | 443 | 474 | 496 | 565 | 670 | 723 | 1078 | 1175 | 1253 | 1437 |
| 96" | 372 | 410 | 442 | 467 | 499 | 523 | 595 | 704 | 1056 | 1120 | 1212 | 1413 | 1495 |
| 108" | 389 | 430 | 464 | 490 | 524 | 550 | 654 | 738 | 1094 | 1161 | 1267 | 1467 | 1552 |
| 120" | 409 | 452 | 488 | 517 | 553 | 582 | 691 | 779 | 1139 | 1211 | 1324 | 1531 | 1621 |
| 132" | 426 | 472 | 518 | 556 | 586 | 653 | 729 | 813 | 1177 | 1252 | 1382 | 1593 | 1691 |
| 144" | 443 | 491 | 539 | 579 | 640 | 685 | 759 | 1016 | 1215 | 1296 | 1453 | 1652 | 1761 |
| 156" | 458 | 511 | 561 | 605 | 673 | 717 | 790 | 1050 | 1256 | 1344 | 1509 | 1720 | 1833 |

FABRICS GROUP 2

| WIDTH | 28" | 36" | 42" | 48" | 54" | 60" | 72" | 84" | 96" | 108" | 120" | 132" | 144" |
|--------|-----|-----|-----|-----|-----|-----|-----|------|------|------|------|------|------|
| HEIGHT | | | | | | | | | | | | | |
| 36" | 303 | 327 | 349 | 367 | 392 | 415 | 470 | 536 | 581 | 784 | 1026 | 1081 | 1257 |
| 48" | 318 | 350 | 375 | 395 | 423 | 445 | 505 | 576 | 626 | 839 | 1083 | 1148 | 1329 |
| 60" | 333 | 373 | 400 | 422 | 452 | 475 | 542 | 618 | 670 | 887 | 1138 | 1213 | 1399 |
| 72" | 353 | 393 | 425 | 450 | 482 | 507 | 579 | 659 | 745 | 1104 | 1197 | 1279 | 1470 |
| 84" | 370 | 416 | 451 | 478 | 513 | 540 | 617 | 730 | 792 | 1157 | 1261 | 1348 | 1541 |
| 96" | 395 | 439 | 476 | 506 | 543 | 572 | 654 | 772 | 1134 | 1207 | 1309 | 1521 | 1612 |
| 108" | 415 | 462 | 502 | 533 | 573 | 604 | 719 | 814 | 1180 | 1258 | 1375 | 1586 | 1682 |
| 120" | 437 | 489 | 531 | 566 | 608 | 643 | 764 | 864 | 1237 | 1321 | 1446 | 1666 | 1767 |
| 132" | 457 | 512 | 564 | 609 | 646 | 719 | 808 | 906 | 1283 | 1372 | 1515 | 1739 | 1850 |
| 144" | 477 | 534 | 589 | 636 | 704 | 756 | 845 | 1116 | 1329 | 1425 | 1596 | 1810 | 1934 |
| 156" | 494 | 558 | 615 | 667 | 742 | 794 | 883 | 1159 | 1379 | 1483 | 1664 | 1890 | 2018 |

- Single shades within dashed lines (and some smaller sizes) may telescope. See notice on page R-3 for warnings.
- If fabrics are able to be railroaded or seamed, edge curl is possible and seams may be visible. These are **NOT** considered warranty defects.
- Clutch/Continuous cord loop shades will have the new Child Safety Tension Devices
- SoLar-bar (Vinyl "L" Light Stop) sold as 6' or 12' lengths. Colors Available: White, Ivory, Gray, Brown or Black.
- See Roller Shade Top Treatment section pages R-5/6 for Additional Description of Options and Colors.
- **For Top Treatment/Cordless Pricing see page R-5**
- To Price Dual Shades or Multiple Shades Without Motors, add Cost of Each Shade Plus Top Treatment
- Upgraded Colored Chain Loop Available: Stainless, White, Black and Gun Metal, \$20 Per Shade.

****SEE SPECIFICATIONS ON PAGE R-3 FOR ADDITIONAL INFORMATION AND PRICING OPTIONS****

2612 West Townley Ave, Suite 5, Phoenix, AZ 85021
 Phone: 602-995-9659 Fax: 602-995-7157



HOME DECOR

WHOLESALE FABRICATORS

Made in America

ROLLER SHADE RETAIL PRICE GUIDES

FABRICS GROUP 3

| WIDTH | 28" | 36" | 42" | 48" | 54" | 60" | 72" | 84" | 96" | 108" | 120" | 132" | 144" |
|--------|-----|-----|-----|-----|-----|-----|-----|------|------|------|------|------|------|
| HEIGHT | | | | | | | | | | | | | |
| 36" | 309 | 334 | 358 | 377 | 404 | 427 | 486 | 554 | 602 | 807 | 1051 | 1109 | 1288 |
| 48" | 326 | 360 | 386 | 408 | 437 | 461 | 525 | 599 | 652 | 868 | 1115 | 1183 | 1368 |
| 60" | 342 | 384 | 414 | 438 | 470 | 494 | 565 | 645 | 701 | 922 | 1177 | 1255 | 1446 |
| 72" | 363 | 407 | 441 | 468 | 502 | 529 | 606 | 691 | 780 | 1145 | 1241 | 1328 | 1523 |
| 84" | 382 | 432 | 469 | 499 | 536 | 565 | 648 | 766 | 833 | 1203 | 1313 | 1405 | 1603 |
| 96" | 408 | 457 | 496 | 529 | 569 | 601 | 689 | 812 | 1180 | 1259 | 1367 | 1584 | 1681 |
| 108" | 430 | 481 | 524 | 559 | 601 | 636 | 758 | 858 | 1231 | 1316 | 1439 | 1656 | 1759 |
| 120" | 454 | 510 | 556 | 595 | 641 | 679 | 807 | 915 | 1294 | 1386 | 1518 | 1745 | 1854 |
| 132" | 475 | 535 | 592 | 640 | 681 | 758 | 856 | 961 | 1346 | 1442 | 1593 | 1825 | 1945 |
| 144" | 497 | 560 | 619 | 670 | 742 | 799 | 896 | 1175 | 1397 | 1502 | 1681 | 1903 | 2035 |
| 156" | 516 | 585 | 647 | 704 | 783 | 840 | 938 | 1222 | 1452 | 1565 | 1755 | 1990 | 2128 |

FABRICS GROUP 4

| WIDTH | 28" | 36" | 42" | 48" | 54" | 60" | 72" | 84" | 96" | 108" | 120" | 132" | 144" |
|--------|-----|-----|-----|-----|-----|-----|------|------|------|------|------|------|------|
| HEIGHT | | | | | | | | | | | | | |
| 36" | 321 | 349 | 375 | 396 | 425 | 451 | 514 | 587 | 640 | 850 | 1099 | 1161 | 1345 |
| 48" | 340 | 378 | 407 | 432 | 464 | 491 | 561 | 641 | 700 | 922 | 1175 | 1249 | 1440 |
| 60" | 359 | 406 | 439 | 467 | 502 | 530 | 608 | 695 | 758 | 986 | 1249 | 1334 | 1532 |
| 72" | 383 | 432 | 470 | 501 | 540 | 571 | 656 | 749 | 847 | 1220 | 1325 | 1420 | 1624 |
| 84" | 404 | 461 | 503 | 537 | 579 | 613 | 705 | 833 | 910 | 1289 | 1409 | 1510 | 1718 |
| 96" | 434 | 489 | 534 | 572 | 617 | 655 | 753 | 888 | 1266 | 1356 | 1475 | 1702 | 1810 |
| 108" | 458 | 517 | 566 | 607 | 655 | 696 | 829 | 942 | 1327 | 1424 | 1559 | 1788 | 1902 |
| 120" | 486 | 551 | 604 | 649 | 701 | 746 | 888 | 1009 | 1402 | 1507 | 1653 | 1893 | 2015 |
| 132" | 510 | 579 | 643 | 699 | 747 | 831 | 943 | 1063 | 1463 | 1574 | 1740 | 1986 | 2120 |
| 144" | 534 | 607 | 674 | 734 | 814 | 878 | 991 | 1286 | 1524 | 1644 | 1839 | 2077 | 2225 |
| 156" | 555 | 636 | 707 | 772 | 860 | 925 | 1040 | 1342 | 1589 | 1719 | 1926 | 2178 | 2333 |

- Single shades within dashed lines (and some smaller sizes) may telescope. See notice on page R-3 for warnings.
- If fabrics are able to be railroaded or seamed, edge curl is possible and seams may be visible. These are **NOT** considered warranty defects.
- Clutch/Continuous cord loop shades will have the new Child Safety Tension Devices
- SoLar-bar (Vinyl "L" Light Stop) sold as 6' or 12' lengths. Colors Available: White, Ivory, Gray, Brown or Black.
- See Roller Shade Top Treatment section pages R-5/6 for Additional Description of Options and Colors.
- **For Top Treatment/Cordless Pricing see page R-5**
- To Price Dual Shades or Multiple Shades Without Motors, add Cost of Each Shade Plus Top Treatment
- Upgraded Colored Chain Loop Available: Stainless, White, Black and Gun Metal, \$20 Per Shade.

****SEE SPECIFICATIONS ON PAGE R-3 FOR ADDITIONAL INFORMATION AND PRICING OPTIONS****

2612 West Townley Ave, Suite 5, Phoenix, AZ 85021
 Phone: 602-995-9659 Fax: 602-995-7157



HOME DECOR

WHOLESALE FABRICATORS

Made in America

ROLLER SHADE RETAIL PRICE GUIDES

FABRICS GROUP 5

| WIDTH | 28" | 36" | 42" | 48" | 54" | 60" | 72" | 84" | 96" | 108" | 120" | 132" | 144" |
|--------|-----|-----|-----|-----|-----|------|------|------|------|------|------|------|------|
| HEIGHT | | | | | | | | | | | | | |
| 36" | 338 | 371 | 401 | 426 | 458 | 488 | 559 | 639 | 699 | 916 | 1173 | 1242 | 1434 |
| 48" | 361 | 405 | 440 | 469 | 506 | 537 | 616 | 705 | 774 | 1005 | 1267 | 1351 | 1551 |
| 60" | 385 | 439 | 478 | 511 | 552 | 585 | 675 | 773 | 847 | 1086 | 1360 | 1457 | 1665 |
| 72" | 413 | 470 | 516 | 553 | 598 | 636 | 734 | 840 | 951 | 1336 | 1454 | 1562 | 1779 |
| 84" | 439 | 505 | 555 | 596 | 646 | 688 | 794 | 937 | 1028 | 1422 | 1557 | 1673 | 1896 |
| 96" | 472 | 539 | 592 | 638 | 692 | 738 | 853 | 1004 | 1400 | 1506 | 1641 | 1886 | 2010 |
| 108" | 501 | 573 | 630 | 681 | 738 | 789 | 940 | 1071 | 1475 | 1590 | 1744 | 1991 | 2124 |
| 120" | 534 | 613 | 676 | 732 | 795 | 850 | 1013 | 1155 | 1569 | 1694 | 1861 | 2122 | 2265 |
| 132" | 562 | 647 | 722 | 789 | 849 | 945 | 1079 | 1222 | 1644 | 1778 | 1966 | 2235 | 2392 |
| 144" | 591 | 681 | 760 | 832 | 924 | 1000 | 1138 | 1458 | 1720 | 1865 | 2084 | 2346 | 2519 |
| 156" | 617 | 715 | 799 | 877 | 979 | 1057 | 1198 | 1526 | 1800 | 1956 | 2189 | 2468 | 2649 |

FABRICS GROUP 6

| WIDTH | 28" | 36" | 42" | 48" | 54" | 60" | 72" | 84" | 96" | 108" | 120" | 132" | 144" |
|--------|-----|-----|-----|-----|------|------|------|------|------|------|------|------|------|
| HEIGHT | | | | | | | | | | | | | |
| 36" | 352 | 389 | 422 | 450 | 485 | 518 | 595 | 681 | 747 | 970 | 1233 | 1308 | 1506 |
| 48" | 379 | 428 | 466 | 499 | 540 | 575 | 662 | 758 | 834 | 1073 | 1343 | 1434 | 1641 |
| 60" | 406 | 466 | 509 | 547 | 593 | 630 | 729 | 836 | 919 | 1168 | 1450 | 1556 | 1773 |
| 72" | 437 | 502 | 552 | 595 | 646 | 688 | 797 | 913 | 1035 | 1431 | 1560 | 1678 | 1905 |
| 84" | 467 | 541 | 597 | 644 | 700 | 748 | 867 | 1022 | 1125 | 1531 | 1677 | 1806 | 2041 |
| 96" | 504 | 579 | 640 | 693 | 753 | 806 | 934 | 1099 | 1508 | 1628 | 1777 | 2035 | 2173 |
| 108" | 536 | 618 | 683 | 741 | 806 | 864 | 1031 | 1177 | 1595 | 1725 | 1894 | 2157 | 2304 |
| 120" | 574 | 664 | 736 | 800 | 871 | 935 | 1114 | 1273 | 1704 | 1847 | 2031 | 2308 | 2468 |
| 132" | 605 | 702 | 787 | 863 | 932 | 1037 | 1190 | 1351 | 1792 | 1944 | 2150 | 2438 | 2613 |
| 144" | 637 | 741 | 830 | 911 | 1013 | 1100 | 1258 | 1597 | 1879 | 2044 | 2283 | 2565 | 2758 |
| 156" | 667 | 780 | 874 | 963 | 1075 | 1164 | 1327 | 1677 | 1971 | 2149 | 2404 | 2703 | 2906 |

- Single shades within dashed lines (and some smaller sizes) may telescope. See notice on page R-3 for warnings.
- If fabrics are able to be railroaded or seamed, edge curl is possible and seams may be visible. These are **NOT** considered warranty defects.
- Clutch/Continuous cord loop shades will have the new Child Safety Tension Devices
- SoLar-bar (Vinyl "L" Light Stop) sold as 6' or 12' lengths. Colors Available: White, Ivory, Gray, Brown or Black.
- See Roller Shade Top Treatment section pages R-5/6 for Additional Description of Options and Colors.
- **For Top Treatment/Cordless Pricing see page R-5**
- To Price Dual Shades or Multiple Shades Without Motors, add Cost of Each Shade Plus Top Treatment
- Upgraded Colored Chain Loop Available: Stainless, White, Black and Gun Metal, \$20 Per Shade.

****SEE SPECIFICATIONS ON PAGE R-3 FOR ADDITIONAL INFORMATION AND PRICING OPTIONS****

2612 West Townley Ave, Suite 5, Phoenix, AZ 85021
 Phone: 602-995-9659 Fax: 602-995-7157



HOME DECOR

WHOLESALE FABRICATORS

Made in America

ROLLER SHADE RETAIL PRICE GUIDES

FABRICS GROUP 7

| WIDTH | 28" | 36" | 42" | 48" | 54" | 60" | 72" | 84" | 96" | 108" | 120" | 132" | 144" |
|--------|-----|-----|-----|------|------|------|------|------|------|------|------|------|------|
| HEIGHT | | | | | | | | | | | | | |
| 36" | 371 | 413 | 450 | 482 | 521 | 558 | 643 | 737 | 812 | 1043 | 1313 | 1397 | 1602 |
| 48" | 403 | 458 | 501 | 539 | 585 | 626 | 722 | 829 | 915 | 1164 | 1444 | 1545 | 1763 |
| 60" | 434 | 503 | 552 | 595 | 647 | 691 | 802 | 921 | 1016 | 1276 | 1571 | 1689 | 1918 |
| 72" | 470 | 544 | 602 | 652 | 709 | 759 | 882 | 1012 | 1148 | 1558 | 1701 | 1833 | 2074 |
| 84" | 505 | 590 | 653 | 709 | 773 | 829 | 963 | 1135 | 1254 | 1676 | 1839 | 1983 | 2234 |
| 96" | 546 | 634 | 703 | 765 | 835 | 896 | 1043 | 1226 | 1653 | 1791 | 1958 | 2234 | 2390 |
| 108" | 583 | 678 | 754 | 821 | 897 | 964 | 1151 | 1318 | 1756 | 1907 | 2095 | 2378 | 2546 |
| 120" | 627 | 732 | 815 | 890 | 973 | 1048 | 1250 | 1432 | 1886 | 2051 | 2257 | 2558 | 2741 |
| 132" | 663 | 776 | 873 | 962 | 1043 | 1160 | 1338 | 1523 | 1989 | 2166 | 2397 | 2709 | 2909 |
| 144" | 699 | 821 | 923 | 1018 | 1133 | 1233 | 1418 | 1784 | 2092 | 2284 | 2550 | 2859 | 3078 |
| 156" | 734 | 866 | 975 | 1078 | 1205 | 1308 | 1500 | 1878 | 2201 | 2407 | 2691 | 3019 | 3251 |

FABRICS GROUP 8

| WIDTH | 28" | 36" | 42" | 48" | 54" | 60" | 72" | 84" | 96" | 108" | 120" | 132" | 144" |
|--------|-----|-----|------|------|------|------|------|------|------|------|------|------|------|
| HEIGHT | | | | | | | | | | | | | |
| 36" | 400 | 450 | 494 | 532 | 577 | 621 | 717 | 825 | 911 | 1155 | 1438 | 1534 | 1752 |
| 48" | 439 | 505 | 556 | 602 | 655 | 704 | 816 | 938 | 1040 | 1304 | 1600 | 1717 | 1950 |
| 60" | 477 | 559 | 617 | 670 | 731 | 784 | 914 | 1051 | 1166 | 1445 | 1758 | 1895 | 2143 |
| 72" | 521 | 610 | 678 | 739 | 807 | 868 | 1012 | 1165 | 1322 | 1754 | 1918 | 2073 | 2336 |
| 84" | 563 | 664 | 741 | 809 | 885 | 953 | 1113 | 1309 | 1454 | 1901 | 2088 | 2258 | 2534 |
| 96" | 612 | 718 | 802 | 877 | 961 | 1037 | 1211 | 1422 | 1877 | 2044 | 2239 | 2543 | 2727 |
| 108" | 655 | 772 | 863 | 946 | 1037 | 1120 | 1338 | 1536 | 2005 | 2187 | 2407 | 2721 | 2920 |
| 120" | 708 | 837 | 938 | 1030 | 1131 | 1224 | 1461 | 1677 | 2166 | 2366 | 2608 | 2943 | 3161 |
| 132" | 752 | 891 | 1006 | 1114 | 1215 | 1351 | 1567 | 1790 | 2294 | 2509 | 2779 | 3129 | 3367 |
| 144" | 796 | 944 | 1067 | 1183 | 1319 | 1439 | 1665 | 2072 | 2422 | 2655 | 2962 | 3312 | 3573 |
| 156" | 838 | 999 | 1130 | 1256 | 1404 | 1530 | 1766 | 2188 | 2556 | 2807 | 3135 | 3508 | 3784 |

- Single shades within dashed lines (and some smaller sizes) may telescope. See notice on page R-3 for warnings.
- If fabrics are able to be railroaded or seamed, edge curl is possible and seams may be visible. These are **NOT** considered warranty defects.
- Clutch/Continuous cord loop shades will have the new Child Safety Tension Devices
- SoLar-bar (Vinyl "L" Light Stop) sold as 6' or 12' lengths. Colors Available: White, Ivory, Gray, Brown or Black.
- See Roller Shade Top Treatment section pages R-5/6 for Additional Description of Options and Colors.
- **For Top Treatment/Cordless Pricing see page R-5**
- To Price Dual Shades or Multiple Shades Without Motors, add Cost of Each Shade Plus Top Treatment
- Upgraded Colored Chain Loop Available: Stainless, White, Black and Gun Metal, \$20 Per Shade.

****SEE SPECIFICATIONS ON PAGE R-3 FOR ADDITIONAL INFORMATION AND PRICING OPTIONS****



HOME DECOR

WHOLESALE FABRICATORS

Made in America

ROLLER SHADE RETAIL PRICE GUIDES

FABRICS GROUP 9

| WIDTH | 28" | 36" | 42" | 48" | 54" | 60" | 72" | 84" | 96" | 108" | 120" | 132" | 144" |
|--------|-----|------|------|------|------|------|------|------|------|------|------|------|------|
| HEIGHT | | | | | | | | | | | | | |
| 36" | 428 | 486 | 536 | 580 | 632 | 681 | 790 | 909 | 1007 | 1263 | 1558 | 1666 | 1896 |
| 48" | 474 | 551 | 609 | 662 | 723 | 779 | 907 | 1044 | 1161 | 1440 | 1751 | 1883 | 2131 |
| 60" | 520 | 613 | 680 | 743 | 813 | 875 | 1023 | 1178 | 1310 | 1608 | 1939 | 2094 | 2360 |
| 72" | 570 | 673 | 752 | 823 | 902 | 973 | 1139 | 1312 | 1491 | 1944 | 2129 | 2305 | 2589 |
| 84" | 619 | 737 | 825 | 906 | 994 | 1074 | 1258 | 1478 | 1647 | 2118 | 2330 | 2524 | 2824 |
| 96" | 675 | 799 | 897 | 986 | 1083 | 1172 | 1374 | 1613 | 2095 | 2288 | 2510 | 2841 | 3053 |
| 108" | 726 | 862 | 968 | 1066 | 1172 | 1271 | 1519 | 1747 | 2247 | 2458 | 2708 | 3052 | 3281 |
| 120" | 788 | 939 | 1057 | 1166 | 1284 | 1393 | 1664 | 1915 | 2438 | 2672 | 2947 | 3317 | 3569 |
| 132" | 838 | 1002 | 1136 | 1262 | 1381 | 1536 | 1788 | 2049 | 2590 | 2842 | 3148 | 3535 | 3810 |
| 144" | 889 | 1064 | 1207 | 1342 | 1498 | 1639 | 1904 | 2352 | 2741 | 3014 | 3361 | 3751 | 4052 |
| 156" | 938 | 1128 | 1280 | 1428 | 1598 | 1745 | 2024 | 2489 | 2900 | 3194 | 3565 | 3981 | 4300 |

FABRICS GROUP 10

| WIDTH | 28" | 36" | 42" | 48" | 54" | 60" | 72" | 84" | 96" | 108" | 120" | 132" | 144" |
|--------|------|------|------|------|------|------|------|------|------|------|------|------|------|
| HEIGHT | | | | | | | | | | | | | |
| 36" | 466 | 535 | 593 | 645 | 705 | 762 | 888 | 1023 | 1138 | 1410 | 1721 | 1846 | 2092 |
| 48" | 522 | 612 | 681 | 744 | 816 | 882 | 1029 | 1187 | 1325 | 1625 | 1956 | 2108 | 2377 |
| 60" | 577 | 687 | 766 | 841 | 923 | 998 | 1170 | 1350 | 1507 | 1828 | 2184 | 2364 | 2654 |
| 72" | 637 | 759 | 852 | 937 | 1031 | 1116 | 1310 | 1512 | 1719 | 2201 | 2415 | 2619 | 2932 |
| 84" | 696 | 835 | 940 | 1037 | 1141 | 1238 | 1455 | 1708 | 1909 | 2413 | 2658 | 2884 | 3217 |
| 96" | 761 | 910 | 1025 | 1133 | 1249 | 1356 | 1595 | 1870 | 2389 | 2619 | 2878 | 3246 | 3494 |
| 108" | 821 | 984 | 1111 | 1230 | 1356 | 1475 | 1764 | 2032 | 2573 | 2826 | 3117 | 3502 | 3771 |
| 120" | 895 | 1077 | 1217 | 1350 | 1491 | 1623 | 1940 | 2237 | 2806 | 3086 | 3407 | 3823 | 4121 |
| 132" | 955 | 1152 | 1311 | 1462 | 1606 | 1786 | 2089 | 2399 | 2990 | 3292 | 3648 | 4086 | 4411 |
| 144" | 1015 | 1226 | 1396 | 1559 | 1742 | 1909 | 2229 | 2730 | 3174 | 3501 | 3902 | 4346 | 4701 |
| 156" | 1074 | 1303 | 1484 | 1661 | 1860 | 2036 | 2373 | 2897 | 3366 | 3718 | 4148 | 4622 | 4999 |

- Single shades within dashed lines (and some smaller sizes) may telescope. See notice on page R-3 for warnings.
- If fabrics are able to be railroaded or seamed, edge curl is possible and seams may be visible. These are **NOT** considered warranty defects.
- Clutch/Continuous cord loop shades will have the new Child Safety Tension Devices
- SoLar-bar (Vinyl "L" Light Stop) sold as 6' or 12' lengths. Colors Available: White, Ivory, Gray, Brown or Black.
- See Roller Shade Top Treatment section pages R-5/6 for Additional Description of Options and Colors.
- **For Top Treatment/Cordless Pricing see page R-5**
- To Price Dual Shades or Multiple Shades Without Motors, add Cost of Each Shade Plus Top Treatment
- Upgraded Colored Chain Loop Available: Stainless, White, Black and Gun Metal, \$20 Per Shade.

****SEE SPECIFICATIONS ON PAGE R-3 FOR ADDITIONAL INFORMATION AND PRICING OPTIONS****



HOME DECOR

WHOLESALE FABRICATORS

Made in America

MOTORIZATION



- **5 Year Warranty**
- **ZIGBEE & RTS Remote Controlled**
- **Rechargeable Battery and Wired Motors Available**



HOME DECOR

WHOLESALE FABRICATORS

Made in America

SOMFY® RTS MOTORIZATION (All Prices RETAIL)



| | Retail Price | Voltage Type | Noise Level | Min/Max Width | Max Weight |
|------------------------------------|--------------|----------------------------|-------------|---------------|------------|
| R28 WireFree (External Battery) | \$ 600 | 12v DC Rechar. Battery Blk | 56 dBA | 17"/96" | 10 lbs |
| ST R28 WireFree (Internal Battery) | \$ 700 | 12v DC Rechar Battery Blk | 56 dBA | 25"/96" | 10 lbs |
| ST30 Ultra Quiet WireFree | \$ 800 | 12v DC Battery | Variable | 28"/120" | 17 lbs |
| ST40 Ultra Quiet WireFree | \$ 1000 | 12v DC Battery | 44 dBA | 32"/144" | 25 lbs |
| Sonesse 30 - 24v | \$ 1,300 | 24v DC with AC Transformer | 44 dBA | 22"/120" | 17 lbs |
| Sonesse 40 | \$ 1,100 | 120v AC Hardwire Motor | 49 dBA | 27"/144" | 25 lbs |
| Sonesse 50 | \$ 1,500 | 120v AC Hardwire Motor | 45 dBA | 32"/240" | 45 lbs |
| Sonesse 50 Ultra Quiet | \$ 1,700 | 120v AC Hardwire Motor | 38 dBA | 40"/240" | 45 lbs |
| LT50 Exterior (W/ Shade Purchase) | \$ 1,400 | 120v AC Hardwire Motor | N/A | 30"/240" | 200 lbs |
| Wand Motor (Right Side Only) | \$ 380 | 7.4 V DC Rechar. Battery | 40 dB | 21"/96" | 7.5 lbs |

- Wand Motor: Wand Lengths: 24", 39", 59". Comes in Black or White, Max Size: 96"x96" (Right Side Only)
 - Wand Motor has a Rechargeable Battery, is not compatible with Somfy Products, & has a 3-year warranty.
- 12v DC Motors Include an AC Charger -1 Per Order,
- 120v Hardwire motors come with a 10 ft 3-wire cable and a 3-prong plug
- Somfy® offers a 5-year warranty on motors and controls – does not include Wand Motor.
- **If the antenna is removed from the motor, the motor warranty is void.**

| Optional Accessories | | | |
|--|----------|--|--------|
| 12v 8" Magnetic Pigtail for Motors/Batteries | \$ 40 | TaHoma Switch comes with Ethernet Adaptor | \$ 800 |
| 12v 33" Magnetic Rigid Extension Cable | \$ 60 | Rechargeable Battery Blk /12v AA Batt. Wand | \$ 200 |
| 12v Battery Charger (includes Mag. Rigid Ext. Cable) | \$ 120 | 12v Battery Charger (Solar Only) | \$ 200 |
| 24v Plug in Transformer | \$ 300 | 12v Solar Pack Kit (Battery Motors Only) | \$ 480 |
| 24v Distribution Panel: 5 Motors | \$ 2,300 | 24 ft ST50/LT50 Cord with Plug | \$ 200 |
| 24v Distribution Panel: 10 Motors | \$ 3,400 | Son.40/50 FAST CONNECT 8.5' or 24' Cord | \$ 300 |
| 24v Distribution Panel: 15 Motors | \$ 4,600 | Eolis Wind Only Sensor – 24v (Sensor & Trans) | \$ 800 |
| 24v Distribution Panel: 20 Motors | \$ 5,600 | Soliris RTS Sun/Wind Sensor – 24v (Sensor & Trans) | \$ 800 |

| Hand Held Remote Controls/Stand Alone Motors | | Wall Mounted Remotes | |
|--|--------|-----------------------------------|---------|
| 1 Channel White | \$ 240 | 1 Channel Patio | \$ 360 |
| 5 Channel White | \$ 300 | 5 Channel Patio | \$ 400 |
| 16 Channel White | \$ 900 | Soliris Patio 5 Channel | \$ 640 |
| LT50 Exterior Motor WITHOUT shade Purchase | | | \$ 1800 |
| <i>Must Use Soliris Remote if using Soliris Sun/Wind Sensor.</i> | | | |
| | | 1 Channel White, Inset – Deco | \$ 500 |
| | | 5 Channel White, Inset – Deco | \$ 600 |
| | | 1 Channel White, Surface – Smoov | \$ 360 |
| | | 4 Channel White, Surface – Smoove | \$ 420 |
| | | 5 Channel White, Surface – Deco | \$ 500 |



HOME DECOR

WHOLESALE FABRICATORS

Made in America

SOMFY® ZIGBEE Motorization (All Prices RETAIL)



| | Device Type | Retail Price | Voltage Type | Noise Level | Min/Max Width | Max Weight |
|---|-------------|--------------|--|-------------|---------------|------------|
| Zigbee R28 WireFree (External Battery) | ZED | \$ 700 | 12v DC Rechargeable Battery Blk | 56 dBA | 17"/96" | 10 lbs |
| Zigbee ST R28 WireFree (Internal Battery) | ZED | \$ 800 | 12v DC Battery | 56 dBA | 25"/96" | 10 lbs |
| Zigbee ST30 Ultra Quiet WF | ZED | \$ 900 | 12v DC Battery | Variable | 28"/120" | 17 lbs |
| Zigbee ST40 Ultra Quiet WF | ZED | \$ 1,500 | 12v DC Battery | 44 dBA | 32"/144" | 25 lbs |
| Zigbee Sonesse 30 – 24v | ZR | \$ 1,400 | 24v DC with AC Transformer | 44 dBA | 22"/120" | 17 lbs |
| Zigbee Sonesse 40 | ZR | \$ 1,300 | 120v AC Hardwire Motor with Fast Connect Cords | 49 dBA | 27"/144" | 25 lbs |
| Zigbee LT50 (with Izyomo Conversion) | ZR | \$ 1,700 | 4 Wire, 120vm AC | NA | 30"/240" | 200 lbs |

- ZED = Zigbee End Device, ZR = Zigbee Router, ZC = Zigbee Coordinator
- All Motors Listed are Somfy® Zigbee Remote Controlled.
- 12v DC Motors Include an AC Charger -1 Per Order
- 120v Hardwire motors come with a 10 ft 3-wire cable and a 3-prong plug
- 1 Zigbee Router or Zigbee Coordinator is needed for every 6 Zigbee End Devices
- Only 1 Zigbee Coordinator can be in use at a time.
- The Zigbee Coordinator will connect to 50 Somfy Zigbee Routers and 40 RTS motorized products at a time
- Each Zigbee Router has a maximum distance limit of 23 ft. Obstructions will reduce this distance.
- Somfy® App allows end user to control ZC, ZR. And ZED from their phone
- Apple Home Kit is ONLY compatible with Zigbee products, NOT RTS.
- Somfy® offers a 5-year warranty on motors and controls
- **If the antenna is removed from the motor, the motor warranty is void.**

| | Number of Zigbee Shades | # of Zigbee Router (ZR) Devices Needed |
|-----------------|-------------------------|--|
| 1 Tahoma Switch | 6 | 0 |
| 1 Tahoma Switch | 7 | 2 |
| 1 Tahoma Switch | 13 | 3 |
| 1 Tahoma Switch | 19 | 4 |
| 1 Tahoma Switch | 25 | 5 |
| 1 Tahoma Switch | 31 | 6 |
| 1 Tahoma Switch | 37 | 7 |
| 1 Tahoma Switch | 43 | 8 |
| 1 Tahoma Switch | 49 | 9 |

Optional ZIGBEE Accessories

| | | | |
|--|--------|--|--------|
| TaHoma Switch (Smart Phone & Home) Zigbee Coordinator (ZC) RTS Compatible – Comes with Ethernet Adaptor | \$ 800 | 12v Battery Charger (includes Mag. Rigid Ext. Cable) | \$ 120 |
| Smart Plug, Zigbee Router (ZR) | \$ 160 | 12v 8" Magnetic Pigtail for Motors/Batteries | \$ 40 |
| Zigbee Ysia Remote, 1 Channel | \$ 280 | 12v 33" Magnetic Rigid Extension Cable | \$ 60 |
| Zigbee Ysia Remote, 5 Channel | \$ 320 | Ethernet Adaptor for TaHoma Switch | \$ 120 |
| Izyomo Power/Lighting Control (ZR) | \$400 | Izyomo Motor Control (ZR) | \$440 |

2612 West Townley Ave, Suite 5, Phoenix, AZ 85021
Phone: 602-995-9659 Fax: 602-995-7157



HOME DECOR

WHOLESALE FABRICATORS

Made in America

MOTORIZATION COMPARISON RTS & ZIGBEE

| | 28 | 36 | 42 | 48 | 54 | 60 | 72 | 84 | 96 | 108 | 120 | 132 | 144 | 156 | 168 | 180 | 192 | |
|-----|---|----|------------|----|----|----|----|----|------------|--------------------------------|-----|------------|-----|-----|-----|-----|-----|--|
| 36 | R28, ST R28 , ST30, ST40, Sonesse 30, 40, and 50; Wand Motor | | | | | | | | | ST40, Sonesse 40, and 50 | | Sonesse 50 | | | | | | |
| 48 | | | | | | | | | | | | | | | | | | |
| 60 | | | | | | | | | | | | | | | | | | |
| 72 | | | | | | | | | | | | | | | | | | |
| 84 | | | | | | | | | | | | | | | | | | |
| 96 | | | | | | | | | | | | | | | | | | |
| 108 | ST30, ST40, Sonesse 30, 40, and 50 | | Sonesse 50 | | | | | | | | | | | | | | | |
| 120 | | | | | | | | | | | | | | | | | | |
| 132 | | | | | | | | | | | | | | | | | | |
| 144 | ST30, ST40, Sonesse 30, 40, and 50 | | | | | | | | Sonesse 50 | | | | | | | | | |
| 156 | | | | | | | | | | | | | | | | | | |

See Chart for Minimum Opening Size and Additional Details

| Motor | Minimum Opening Size | Motor Details |
|----------------------------|----------------------|---|
| R28 WireFree (External) | 17" | 12v DC with "AA" Battery Wand or Rechargeable Lithium Battery |
| Solar Pack Kit | 17" | 12v DC with Solar Panel |
| Wand Motor | 21" | 7.4 V DC Rechargeable Battery |
| Sonesse 30 – 24v | 22" | 24v DC with AC Transformer |
| ST R28 WireFree (Internal) | 25" | 12v DC Rechargeable Internal Lithium Battery |
| Sonesse 40 AC | 27" | 120v AC Hardwire Motor |
| ST30 Ultra Quiet WireFree | 28" | 12v DC Rechargeable Internal Lithium Battery |
| ST40 Ultra Quiet WireFree | 32" | 12v DC Rechargeable Internal Lithium Battery |
| Sonesse 50 | 32" | 120v AC Hardwire Motor |
| Sonesse 50 Ultra Quiet | 40" | 120v AC Hardwire Motor |

- All motors have Zigbee or RTS technology with programming manuals available online.
 - Each order with Lithium Battery Motors includes - 1 AC charger per order.
 - AC Motors come with an approximate cord length of 10 feet and includes a plug.
 - Cord can be cut to specified length as needed. Minimum cord length required is 2 feet.
 - Somfy motors come with a manufacturer's 5-year warranty.
 - Wand Motor Max size is 96" x 96". Wand Motor has a 3-year Warranty
- For Further details on motors please visit homedecorwf.com or somfypro.com/products



HOME DECOR

WHOLESALE FABRICATORS

Made in America

EXTERIOR ROLLER SHADES



- **Hand Crank or Motorized**
- **Open Roll or Box Cover, Cable Guides**
- **Phifer Suntex 80% - 99%**
& Suntex Matte 95% - 97%

2612 West Townley Ave, Suite 5, Phoenix, AZ 85021
Phone: 602-995-9659 Fax: 602-995-7157



HOME DECOR

WHOLESALE FABRICATORS

Made in America

EXTERIOR ROLLER SHADES SPECIFICATIONS

Standard Features

- Open Roll
- **Stainless Steel** bottom bar with eyelet ends for cable guides
- Custom sizes built to your specifications
- 5:1 Ratio hand crank gear control
- 48", 60", 72", 84" or 96" hand crank brace
 - **1 x included per order-specify size when ordering**
 - CRANK COLORS: Beige or Brown
 - Extra hand cranks can be purchased for \$54 (NET) each
- All weather hardware, stainless steel components and powder coated painted aluminum finish

Optional Features

- Sealed bottom bar with D-rings for bungee cord tie downs – No Charge (Bungee cords not included.)
- 5 1/2" **Powder Coated** Aluminum Roll Form Box enclosure with 45-degree angle front, (see price grid).
 - STOCK COLORS: Beige, Arcona (Dark) Beige, Bronze, and Brown
 - **(DISCONTINUED COLORS: White, Cream, Grey, Metallic Aluminum)**
- Cable guide system for wind stabilization (see price grid).
- Somfy Motorization, Sun & Wind sensors available

EXTERIOR SHADE BOX COVER OPTIONS



Available Fabrics

| FABRIC | ROLL WIDTH | RAILROAD/ SEAMED |
|------------------------|------------|------------------|
| SUNTEX 95%, 97%, & 99% | 126" | YES |
| SUNTEX Matte 95% & 97% | 126" | YES |
| SUNTEX 90% & 80% | 96"/120" | YES |

NOTE: If fabrics are able to be railroaded or seamed, edge curl is possible and seams may be visible. These are NOT considered warranty defects.



HOME DECOR

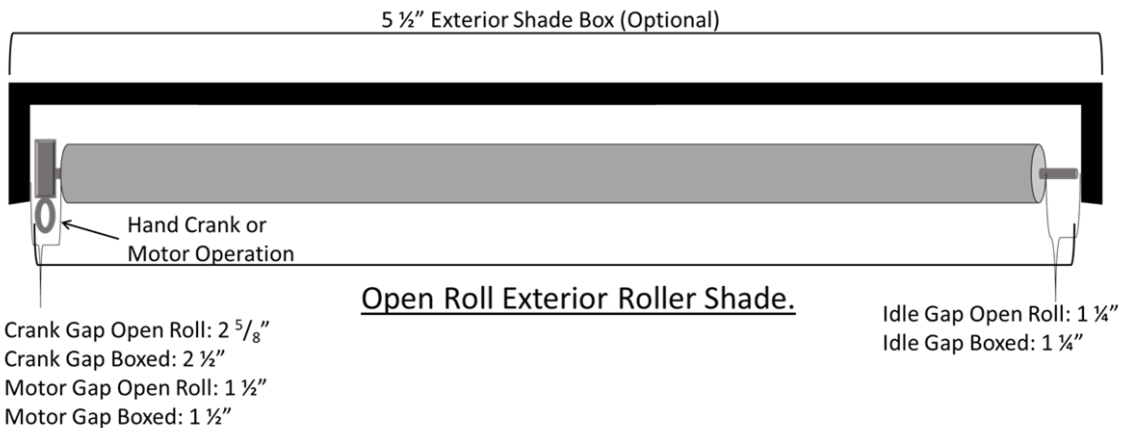
WHOLESALE FABRICATORS

Made in America

EXTERIOR ROLLER SHADE AVAILABLE COLORS

| | | | | | | |
|---|---|---|---|--|--|--|
| Suntex 80%/90% |  |  |  |  |  |  |
| | Beige | Black | Brown | Dark Bronze | Grey | Stucco |
| Suntex Matte 95%/97% |  |  |  |  | | |
| | Matte Black | Matte Dark Bronze | Matte Iron Grey | Matte Niko | | |
| Suntex 95%, 97%, & 99% |  |  |  |  |  |  |
| | Alpaca | Black | Carbon | Chestnut | Dark Bronze | Mocha |
| |  |  |  |  | | |
| | Sand | Stucco | White/Grey | White | | |

Pictures of color samples may appear different on different monitors or in our printed price guide. Please visit our showroom or order a **HOME DECOR** sample for a more accurate reference



2612 West Townley Ave, Suite 5, Phoenix, AZ 85021
 Phone: 602-995-9659 Fax: 602-995-7157



HOME DECOR

WHOLESALE FABRICATORS

Made in America

ROLLER SHADE MOTORIZATION PRICING (ALL PRICES RETAIL)

SOMFY® Motorization Options and Specs

| | Device Type | Price | Voltage Type | Min/Max Width | Max Weight |
|---|-------------|---------|------------------------|---------------|---------------|
| LT50 Exterior Motor | RTS | \$1,400 | 120v AC Hardwire Motor | 30"/240" | Up to 200 lbs |
| LT50 Exterior Motor-Motor Only | RTS | \$1,800 | 120v AC Hardwire Motor | 30"/240" | Up to 200 lbs |
| Zigbee LT50 (with Izymo Conversion) (ZR) | Zig | \$1,700 | 4 Wire, 120vm AC | 30"/240" | 200 lbs |

- Radio Technology Somfy® (RTS) remote controlled.
- 120v Hardwire motor has a 12 ft, 3-wire conductor cable to be hardwired or plugged into a 3-prong electrical outlet (3-prong plug provided).
- Longer power cables available for an extra charge.
- Somfy® offers a 5- year warranty on motors and controls to be free from defects in material & workmanship under normal and proper use.
- **If the antenna is removed from the motor, the motor warranty is void.**

| Exterior Components | | Remotes & Optional Accessories | | |
|---|------------|---|---------|-------|
| | | Item | Type | Price |
| 78mm Tube (24 ft) | \$ 77 /ft | Remote: 1 Channel Patio | RTS | \$360 |
| Stainless Steel Bottom Bar | \$ 100 /ft | Remote: 5 Channel Patio | RTS | \$400 |
| Bottom Bar Cable Eyelets | \$ 80 ea | Remote: 1 Channel-Ysia | Zig | \$280 |
| Cradle Idler | \$ 160 | Remote: 5 Channel-Ysia | Zig | \$320 |
| Heavy Duty Brackets | \$ 300 ea | Remote: Soliris Patio 5 Channel | RTS | \$500 |
| Hand Crank Brace (48", 60", 72", 84", 96") | \$ 180 | Soliris RTS Sun/Wind Sensor – 24v (Sensor & Transformer) | RTS | \$800 |
| 5.1 gear hand Crank Clutch | \$ 700 | Eolis Wind Only Sensor – 24v (Sensor & Trans.) | RTS | \$800 |
| 1/8" Guide Cable | \$ 10 /ft | Sunis Sun Sensor | RTS | \$640 |
| Cable Anchors | \$ 10 ea | 24 ft ST50/LT50 Cord with Plug | RTS/Zig | \$300 |
| Turnbuckles | \$ 40 ea | TaHoma Switch with Ethernet Adaptor (ZC) | RTS/Zig | \$200 |
| | | Izymo Power/Lighting Control (ZR) | Zig | \$400 |
| | | Izymo Motor Control (ZR) | Zig | \$440 |



HOME DECOR

WHOLESALE FABRICATORS

Made in America

EXTERIOR ROLLER SHADE RETAIL PRICE GUIDE

| FABRIC | ROLL WIDTH | FABRIC | ROLL WIDTH |
|--|------------|---------------------------|------------|
| SUNTEX 80% | 96" | SUNTEX 90% | 120" |
| SUNTEX 95%, 97%, & 99% | 126" | SUNTEX MATTE 95% & 97% | 126" |
| <i>All exterior fabrics listed can be railroaded and seamed.</i> | | | |

| WIDTH | 72" | 84" | 96" | 108" | 120" | 132" | 144" | 156" | 168" | 180" | 192" | 204" | 216" | 228" | 240" |
|-----------------|------|------|------|------|------|------|------|------|------|------|------|------|------|------|------|
| HEIGHT | | | | | | | | | | | | | | | |
| 36" | 2112 | 2207 | 2301 | 2396 | 2575 | 2727 | 2878 | 3029 | 3180 | 3343 | 3506 | 3669 | 3833 | 3996 | 4159 |
| 48" | 2130 | 2228 | 2326 | 2423 | 2606 | 2760 | 2914 | 3069 | 3223 | 3392 | 3561 | 3730 | 3900 | 4069 | 4238 |
| 60" | 2148 | 2249 | 2349 | 2450 | 2635 | 2793 | 2950 | 3107 | 3264 | 3439 | 3614 | 3789 | 3965 | 4140 | 4315 |
| 72" | 2166 | 2269 | 2373 | 2476 | 2665 | 2825 | 2985 | 3145 | 3306 | 3487 | 3668 | 3849 | 4030 | 4211 | 4392 |
| 84" | 2184 | 2291 | 2397 | 2589 | 2695 | 2859 | 3022 | 3185 | 3348 | 3535 | 3722 | 3909 | 4097 | 4284 | 4471 |
| 96" | 2202 | 2311 | 2421 | 2615 | 2725 | 2891 | 3057 | 3223 | 3390 | 3583 | 3776 | 3969 | 4162 | 4355 | 4548 |
| 108" | 2220 | 2332 | 2529 | 2642 | 2811 | 2980 | 3149 | 3318 | 3488 | 3686 | 3885 | 4084 | 4283 | 4482 | 4681 |
| 120" | 2238 | 2353 | 2554 | 2669 | 2842 | 3014 | 3242 | 3386 | 3530 | 3735 | 3940 | 4145 | 4350 | 4555 | 4760 |
| 132" | 2256 | 2374 | 2577 | 2696 | 2871 | 3046 | 3278 | 3425 | 3572 | 3782 | 3993 | 4204 | 4415 | 4626 | 4837 |
| 144" | 2273 | 2395 | 2601 | 2723 | 2901 | 3079 | 3314 | 3464 | 3613 | 3830 | 4047 | 4264 | 4481 | 4698 | 4915 |
| 156" | 2350 | 2485 | 2704 | 2838 | 3029 | 3220 | 3467 | 3630 | 3793 | 4035 | 4278 | 4520 | 4763 | 5005 | 5248 |
| 5 1/2" Box | 660 | 766 | 872 | 977 | 1167 | 1273 | 1379 | 1484 | 1590 | 1694 | 1800 | 1906 | 2011 | 2117 | 2222 |
| Cable Guide Kit | 189 | 189 | 189 | 189 | 189 | 189 | 189 | 189 | 189 | 189 | 189 | 189 | 189 | 189 | 189 |

NOTE: If fabrics are able to be railroaded or seamed, edge curl is possible and seams may be visible. These are **NOT** considered warranty defects.

NOTE: If the antenna is removed from the motor, the motor warranty is void.



HOME DECOR

WHOLESALE FABRICATORS

Made in America

ROLLER SHADES

Date: _____

To: _____

Sidemark: _____

IMPORTANT NOTICE

The order for the above-referenced Sidemark contains a Roller Shade, or Roller Shades that are three times longer than their width.

Roller Shades that are at least three times longer than their width will tend to walk or telescope when rolled up. This can cause the shade to rub on the mounting brackets and fray. This may also cause the shade to roll up crooked.

This is the nature of the product and will happen regardless of the manufacturer. Telescoping is NOT a Warranty Issue.

Your client may need to guide the shade with their hand as it rolls up. Please inform your client of this situation.

Thank you!

