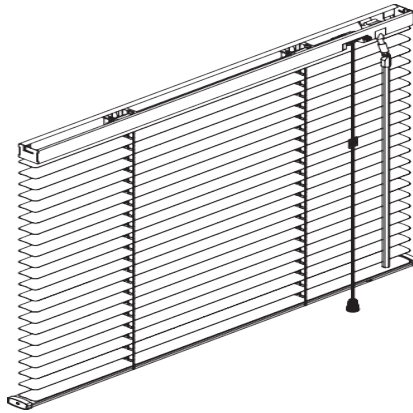


## Aluminum Mini-Blind Installation Guidelines

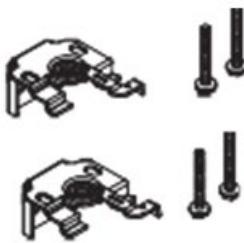


### You will need:

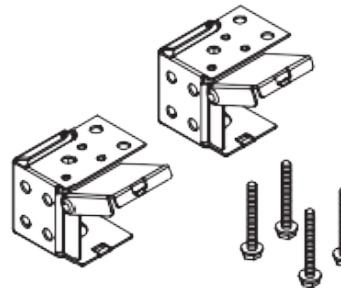
Pencil, tape measure, drill, screwdriver, pliers, and appropriate fasteners

### 1 Choose the Correct Fastener

Hidden brackets come with mounting screws. Optional box brackets include mounting screws as well.

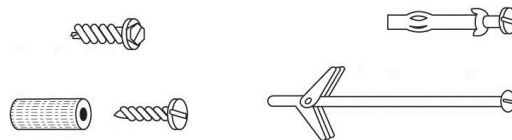


Hidden Brackets



Optional Box Brackets

Alternative fasteners should be used for metal, brick, tile, concrete or other material installations (not included in **HOME DECOR** hardware package).

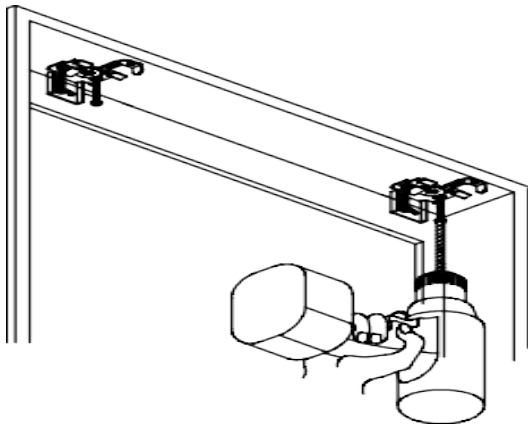


# HOME DECOR

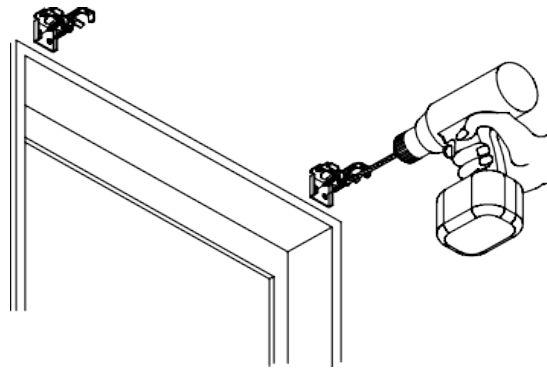
WHOLESALE FABRICATORS  
Made in America

## 2 Hidden Bracket Installation

Mark the bracket locations, making sure the brackets will not interfere with any mechanism or other internal headrail parts. The outermost brackets should be installed about 1/4" from each end of the blind. If you have more than 2 brackets, install all remaining brackets - evenly spaced - towards the center of the blind.

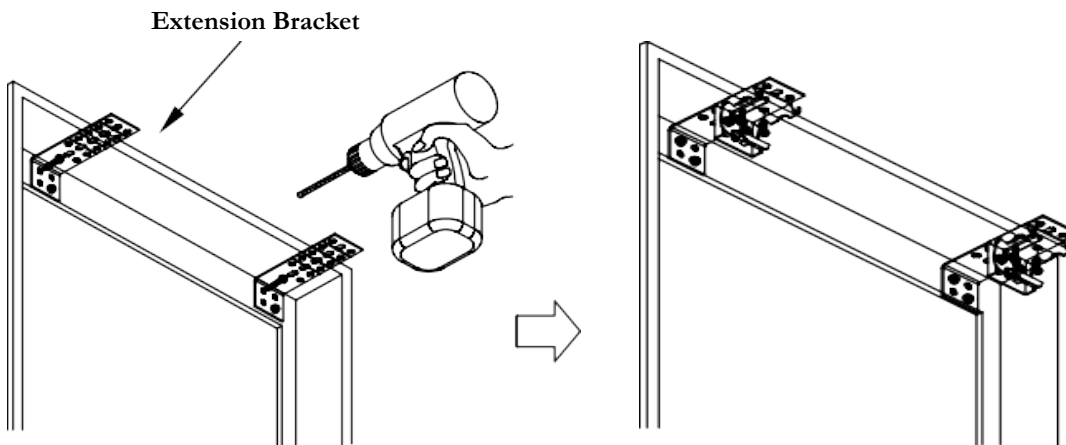


Inside Mount



Outside Mount

If you choose to install the blinds with optional extension brackets, be sure to install the extension brackets with at least 2 screws. Attach the hidden brackets to the extension brackets with the screws.

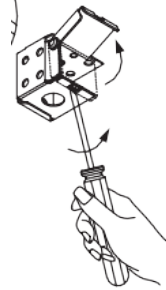


# HOME DECOR

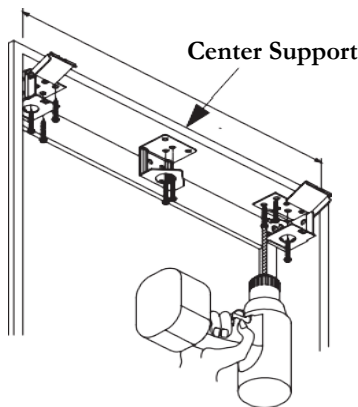
WHOLESALE FABRICATORS  
Made in America

## 3 Optional Box Bracket Installation

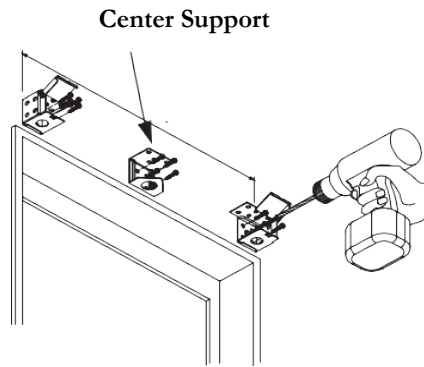
Unlock the box brackets with a flat head screwdriver.



Install the box brackets at the ends of the headrail. Use at least 2 screws per box bracket. Use a center support if the blind is wider than 48" or two center supports if the blind is wider than 100". Spacers are optional, and can be installed behind the box bracket when needed.

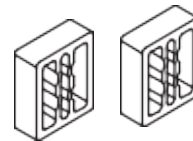


Inside Mount

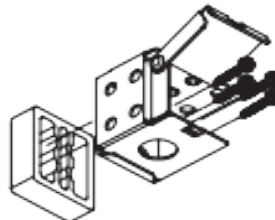
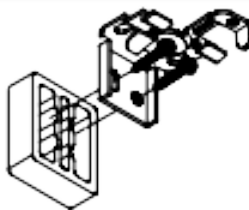


Outside Mount

Spacers are optional, and can be installed behind the bracket when needed.

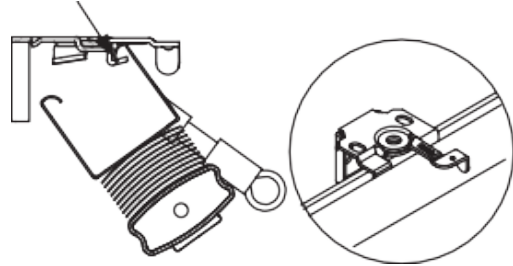


Optional Spacers

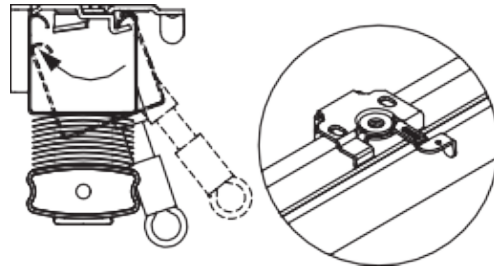


## 4 Blind Installation

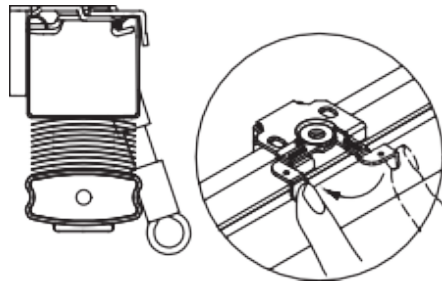
Unlock the hidden brackets. Hook the front of the blind onto the front of the bracket.



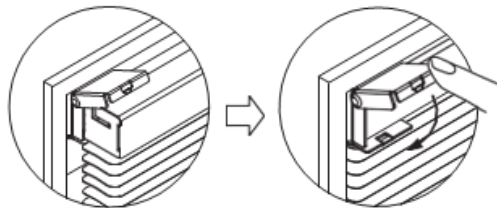
Push the blind toward the back of the brackets.



Lock the brackets.



If using optional box brackets, mount the blind into the brackets. Close the door on the bracket until it clicks.

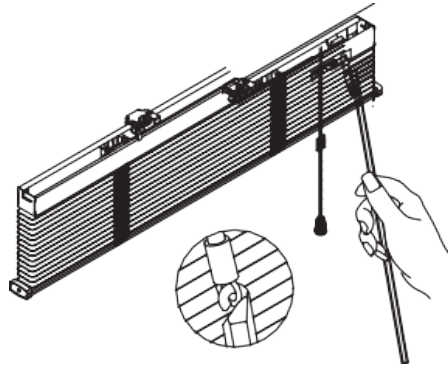


# HOME DECOR

WHOLESALE FABRICATORS  
Made in America

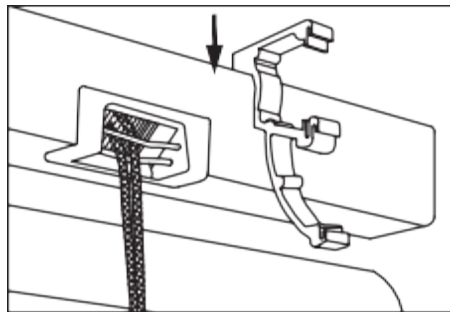
## 5 Tilt Rod Installation

Attach the tilt wand onto the wand hook located on the headrail.

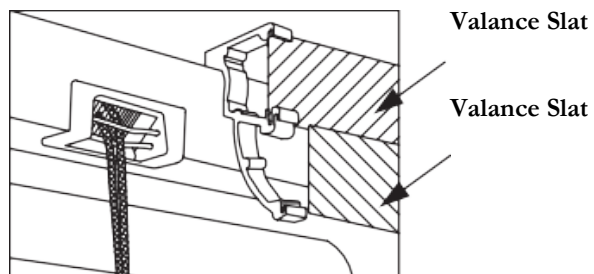


## 6 Valance Installation

Push the valance clip down on to the headrail until you hear it click into place.



Slide the valance slats through the track of the valance clip..

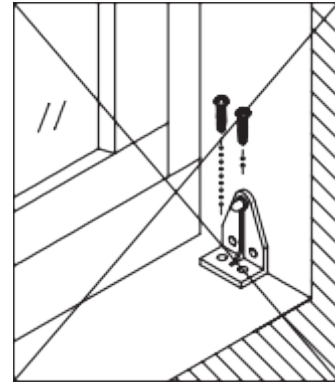
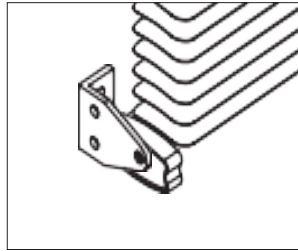
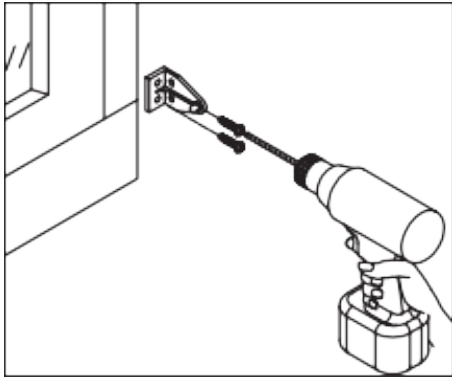


# HOME DECOR

WHOLESALE FABRICATORS  
Made in America

## 7 Attach Hold Down Brackets (If Needed)

Install the hold down brackets to the wall (for outside mount) or jamb of window frame (for inside mount). Do not install on the sill of the window frame.



### Operating Instructions:

**IMPORTANT:** Always tilt the slats horizontally before raising or lowering the blind.

**To lower the blind:** Move the cord to the left, pulling down gently until the cord lock releases. Allow the cord to slip slowly until the blind reaches the desired level. Pull the cord to the right and then release. The blind locks automatically.

**To raise the blind:** Pull the cord downward until the blind reaches the desired height and then slightly to the right to release the cord. The blind locks automatically.

**To tilt the blind:** Rotate the wand to attain the desired slat position.

